



## LED MODULES

# SA Side 3 LED

### Features

- Constant voltage
- **DALI** Compatible.
- Adopt high bright SMD 2835 LED, low light degradation.
- Injection craft, aluminum PCB exposed with better heat dissipation
- IP65 protection class testing
- Optical lens design, 10° x 65° angle beam
- Cut in 1 module only
- 5 Years Warranty

### Specification

Item Code	Colour	CCT(K)	Luminous Flux(lm)	Efficacy(lm/W)
SA 6361	Pure White	6,500	240	88

### Technical Characteristics

Power Consumption	2.5W/M
Voltage	DC12V
Current Dissipation(A)	0.208A
IP Rating	IP65
View Angle	10° x 65°
CRI (Ra)	75+
LED Type	2835 LED
Lens	SAN, UL-94, V-0
Case	ABS, UL-94, V-0
Lead Wire	AWG 18
Cutable Length	Cut in 1 LED module only

### Certification



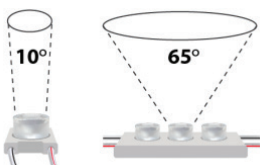
### Temperature Ranges

Operating temperature	-25~60°C
Storage temperature	-25~70°C

### Warranty

Warranty	5 Years
----------	---------

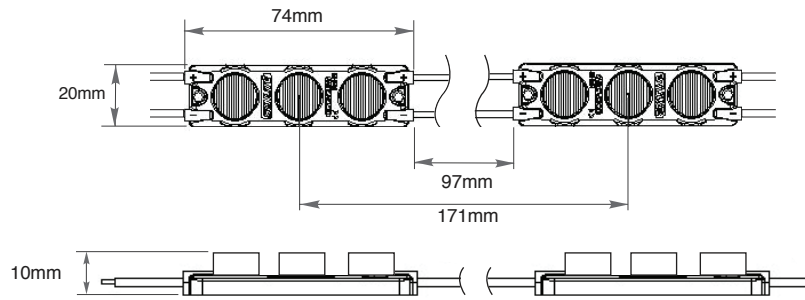
Angle Beam



## Physical Characteristics

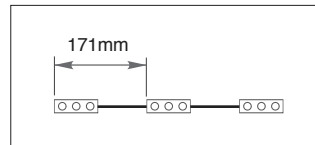
Dimensions(L*W*H)	74*20*10
Weight	13g

### Profile Drawings

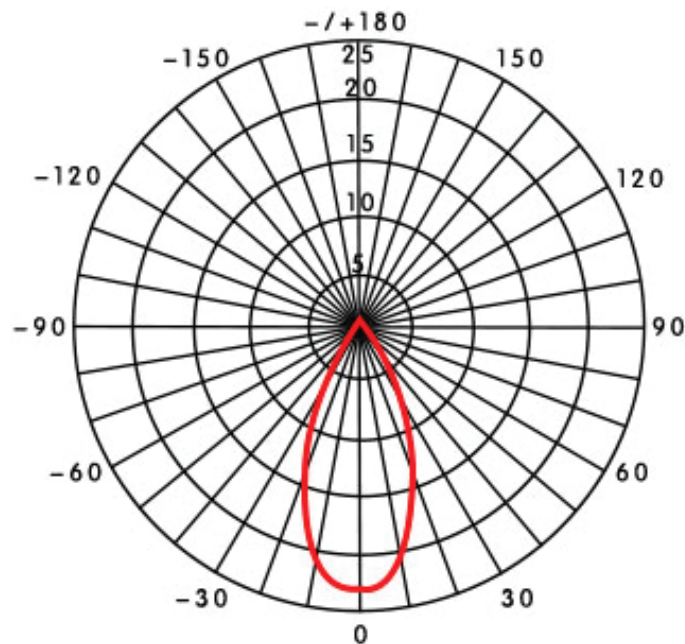


### Module Layout Guides

1 LED



## Luminous intensity distribution diagram



Max in series 10 EA

\*Up-to 10 modules in a single series

