

LED MODULES

SA 1 LED Backlit

Features

- Adopt high quality SMD2835 featured with high brightness;
- Aluminum PCB with high conductivity and good heat dissipation.
- Constant current (Non-DALI Compatible).
- 160°optical lens, fashion appearance.
- Specifically for low depth backlit light box.
- 5 Years Warranty

Specification

Item Code	Power(W)	Luminous Flux(lm)	Current Dissipation(A)	CCT
SA 8191	0.36W	32	0.03	6500K

Technical Characteristics

Voltage	DC12V
Efficiency	90lm/W
IP Rating	IP65
View Angle	160°
Colour	Pure white
CRI(Ra)	70+
LED Type	2835 LED

Certification



Temperature Ranges

Operating temperature	-25~55°
Storage temperature	-25~70°

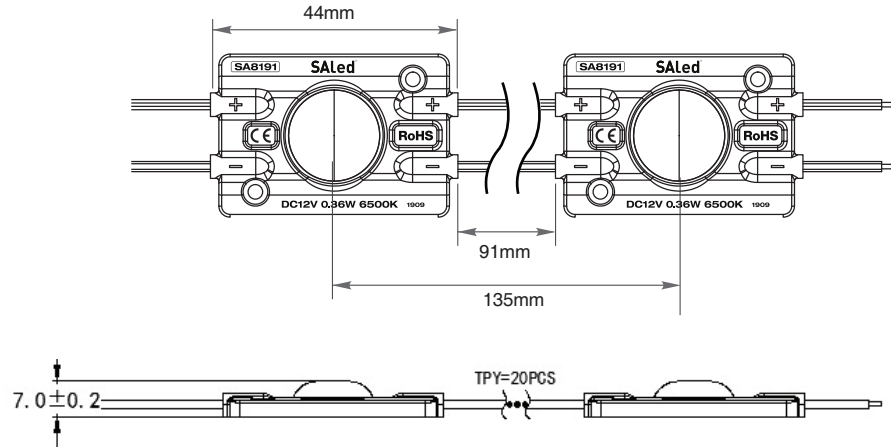
Warranty

Warranty	5 Years
----------	---------

Physical Characteristics

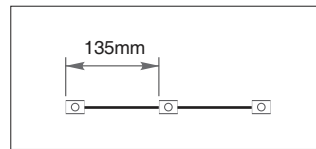
Dimensions(L*W*H)	44*29*7
Weight	150g

Profile Drawings

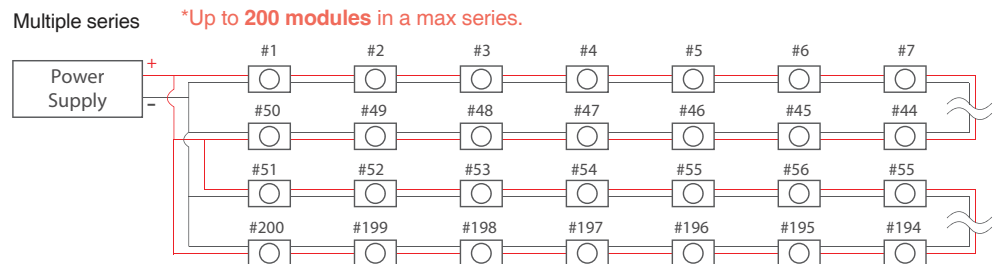
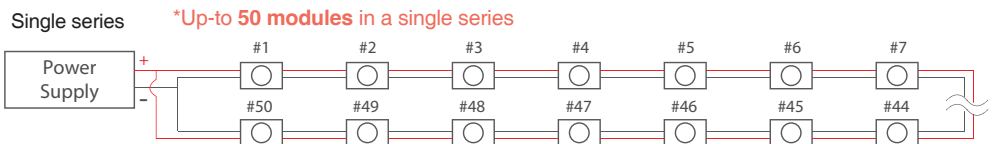


Module Layout Guides

1 LED



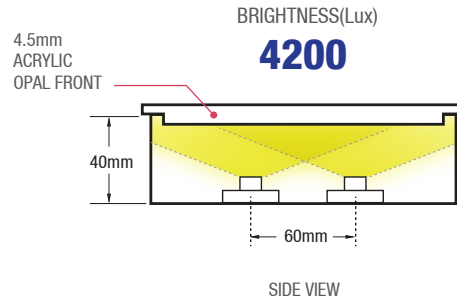
Max in series 50 EA



LED Module Pitch

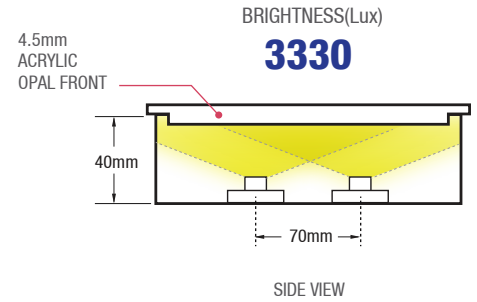
• **Module Pitch : 60mm**

Centre to centre



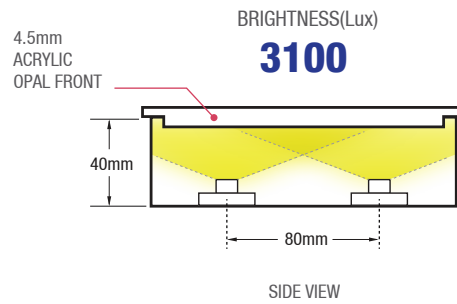
• **Module Pitch : 70mm**

Centre to centre



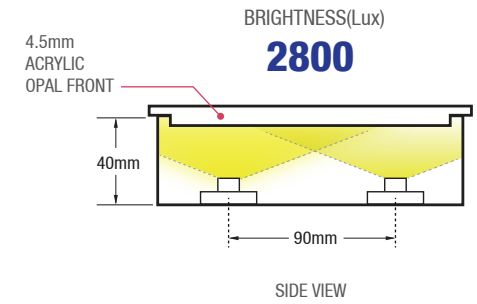
• **Module Pitch : 80mm**

Centre to centre



• **Module Pitch : 90mm**

Centre to centre



• **Module Pitch : 100mm**

Centre to centre

