



## LED MODULES

# SA L-Side 1 LED

## Features

- Constant current ( Non-DALI Compatible).
- Adopting high power SMD3535, better heat dissipation and longer lifespan
- Well ABS sealed : anti-dusting, anti-moisture, waterproof, anti-shock
- Optical lens design, 45° x 15° angle beam and light evenly
- CE, ROHS and UL certified.
- Cuttable every 1 LED Module
- 5 Years Warranty

## Specification

Item Code	Power(W)	Luminous Flux(lm)	Current Dissipation(A)	CCT
SA 4161	2.5W	250	0.208	6500K

## Technical Characteristics

Voltage	DC12V
Efficiency	100lm/W
IP Rating	IP65
View Angle	45° x 15°
Colour	Pure white
CRI(Ra)	75+
LED Type	3535 LED

## Certification



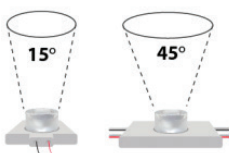
## Temperature Ranges

Operating temperature	-25~60°C
Storage temperature	-25~70°C

## Warranty

Warranty	5 Years
----------	---------

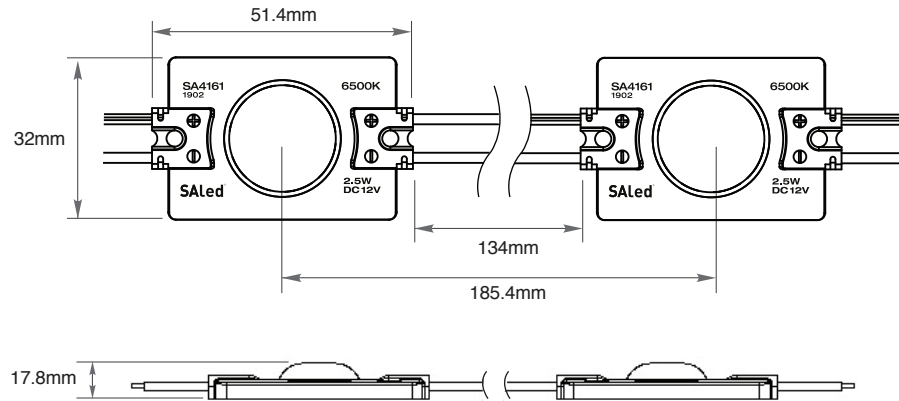
Angle Beam



## Physical Characteristics

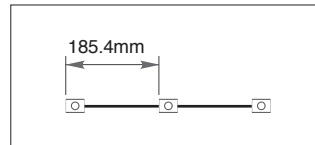
Dimensions(L*W*H)	51.4*32*17.8
Weight	227g

### Profile Drawings

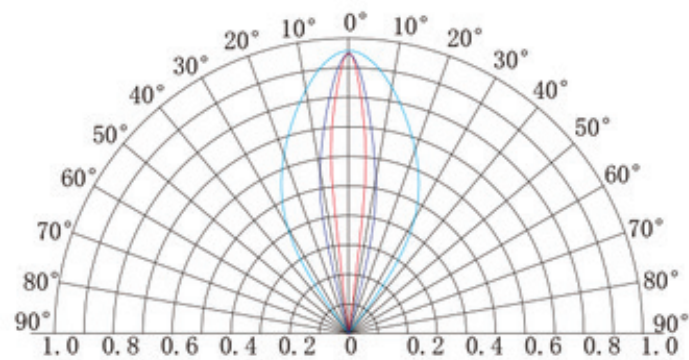


### Module Layout Guides

1 LED



## Luminous intensity distribution diagram



Beaming Angle 15x45°

Max in series 10 EA

\*Up-to 10 modules in a single series

