



The new generation of energy saving tube lighting

MASTER LEDtube EM/Mains

The Philips MASTER LEDtube integrates a LED light source into a traditional fluorescent form factor. Its unique design creates a perfectly uniform visual appearance which cannot be distinguished from traditional fluorescent. This product is the ideal solution for up lighting in general lighting applications.

Benefits

- Reduced operational cost thanks to lower energy consumption
- Lower maintenance cost thanks to 2-3 times longer lifetime than normal fluorescent tubes
- Fastest and easiest way to upgrade existing luminaire to LED technology; 100%- safe installation process

Features

- Only 50% energy consumption compared to fluorescent tubes
- Extra-long life of 40,000 hours
- Retrofit to existing T8 lamps on EM or HF electronic gear
- Full safety features and EM Protector safety device
- No mercury

Application

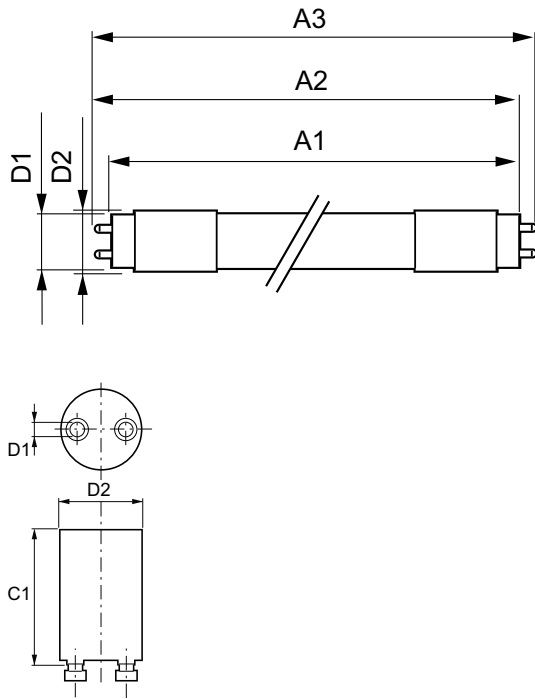
- Car parks
- Warehouses
- Transport and distribution areas
- Front & back of house retail & hospitality

MASTER LEDtube EM/Mains

Versions



Dimensional drawing



Product	D1	D2	A1	A2	A3
MAS LEDtube STD 1200mm 10.5W865 T8 I	25.8 mm	28 mm	1198.2 mm	1205.3 mm	1212.4 mm

Product	D1	D2	C1
MASTER LEDtube Starter EMP	3 mm	21.5 mm	34.5 mm

Operating and Electrical

Input Frequency	50 to 60 Hz
-----------------	-------------

Operating and Electrical

Order Code	Full Product Name	Voltage (Nom)	Power (Rated) (Nom)	Starting Time (Nom)
929000299902	MASTER LEDtube Starter EMP	-	-	-

Order Code	Full Product Name	Voltage (Nom)	Power (Rated) (Nom)	Starting Time (Nom)
929001297708	MAS LEDtube STD 1200mm 10.5W865 T8 I	220-240 V	10.5 W	0.5 s

Approval and Application

MASTER LEDtube EM/Mains

Order Code	Full Product Name	Energy Consumption kWh/1000 h	Energy Efficiency Label (EEL)
929000299902	MASTER LEDtube Starter EMP	-	-

Order Code	Full Product Name	Energy Consumption kWh/1000 h	Energy Efficiency Label (EEL)
929001297708	MAS LEDtube STD 1200mm 10.5W865 T8 I	11 kWh	A++

Controls and Dimming

Order Code	Full Product Name	Dimmable
929000299902	MASTER LEDtube Starter EMP	-

Order Code	Full Product Name	Dimmable
929001297708	MAS LEDtube STD 1200mm 10.5W865 T8 I	No

General Information

Order Code	Full Product Name	Cap- Base	Nominal Lifetime (Nom)	Rated Lifetime (Hours)	Switching Cycle
929000299902	MASTER LEDtube Starter EMP	-	-	-	-

Order Code	Full Product Name	Cap- Base	Nominal Lifetime (Nom)	Rated Lifetime (Hours)	Switching Cycle
929001297708	MAS LEDtube STD 1200mm 10.5W865 T8 I	G13	50000 h	50000 h	200000X

Light Technical

Order Code	Full Product Name	Colour Code	Correlated Colour Temperature (Nom)	Colour Rendering Index (Nom)	Limf At End Of Nominal Lifetime (Nom)	Luminous Flux (Nom)	Luminous Flux (Rated) (Nom)
929000299902	MASTER LEDtube Starter EMP	-	-	-	-	-	-
929001297708	MAS LEDtube STD 1200mm 10.5W865 T8 I	865	6500 K	83	70 %	1600 lm	1600 lm

Temperature

Order Code	Full Product Name	T-Ambient (Max)	T-Ambient (Min)	T-Case Maximum (Nom)	T-Storage (Max)	T-Storage (Min)
929000299902	MASTER LEDtube Starter EMP	-	-	-	-	-
929001297708	MAS LEDtube STD 1200mm 10.5W865 T8 I	45 °C	-20 °C	50 °C	65 °C	-40 °C

