



LED MODULES

SA G-Side 1 LED 4.5W Series

Features

- Adopt Osram LED featured with high brightness, uniform and good antistatic ect;
- Half packed injection process with ABS, Fireproof rating UL94V-0 and IP rating IP65.
- Constant current (Non-DALI Compatible).
- Optical lens design, 12° x 55° angle beam and aluminum PCB with high conductivity
- Cut in 3 modules only
- 5 Years Warranty

Specification

Item Code	Colour	CCT(K)	Luminous Flux(lm)	Efficacy(lm/W)
SA 8361	Pure White	6,500	400	88
SA 8362	Warm White	3,000	400	88

Technical Characteristics

Power Consumption	4.5W/M
Voltage	DC12V
Current Dissipation(A)	0.375A
IP Rating	IP65
View Angle	12° x 55°
CRI (Ra)	70+
Lens	SAN, UL-94, V-0
Case	ABS, UL-94, V-0
Lead Wire	AWG 18
Cutable Length	Cut in 3 LED modules only

Certification



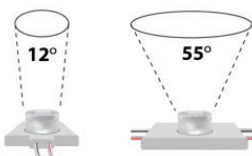
Temperature Ranges

Operating temperature	-25~55°C
Storage temperature	-40~80°C

Warranty

Warranty	5 Years
----------	---------

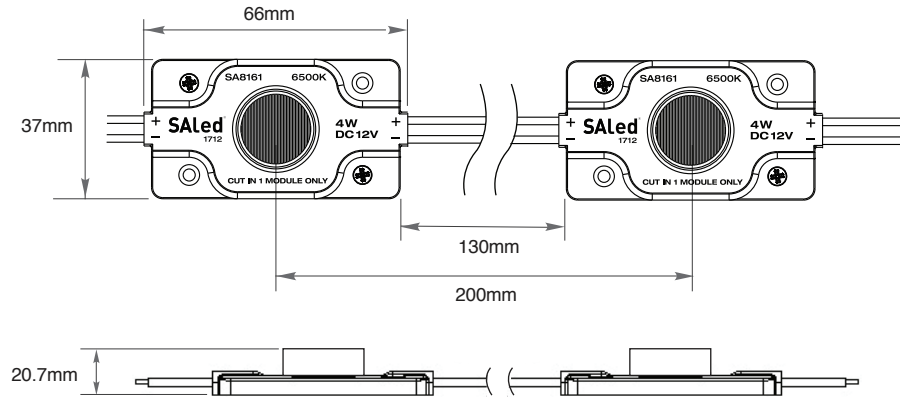
Angle Beam



Physical Characteristics

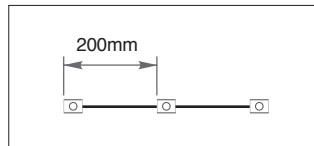
Dimensions(L*W*H)	66*37*20.7
Weight	58g

Profile Drawings



Module Layout Guides

1 LED



Max in series 15 EA

*Up-to 15 modules in a single series

