

LED MODULES

SA G-Side 1 LED 4W Series

Features

- Adopt genesis featured with high brightness, uniform and good antistatic ect;
- Half packed injection process with ABS, Fireproof rating UL94V-0 and IP rating IP65.
- Constant current (Non-DALI Compatible).
- Optical lens design, 15° x 45° angle beam and aluminum PCB with high conductivity
- Cuttable every 1 LEDs (DC12V), Cuttable every 2 LEDs (DC24V)
- 5 Years Warranty

Specification

Power(V)	Item Code	Luminous Flex(lm)	Current Dissipation(A)	CCT
12V	SA 8161	310	0.333	6500K
24V	SA 8262	310	0.166	6500K

Technical Characteristics

Power Consumption	4W/M
Efficiency	77lm/W
IP Rating	IP65
View Angle	15° x 45°
Colour	Pure white
CRI (Ra)	70+
Lens	SAN, UL-94, V-0
Case	ABS, UL-94, V-0
Lead Wire	AWG 18
Cuttable Length	Cuttable every 1 LEDs (DC12V), Cuttable every 2 LEDs (DC24V)

Certification



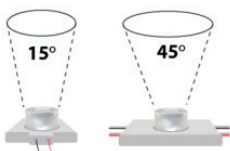
Temperature Ranges

Operating temperature	-25~55°C
Storage temperature	-40~80°C

Warranty

Warranty	5 Years
----------	---------

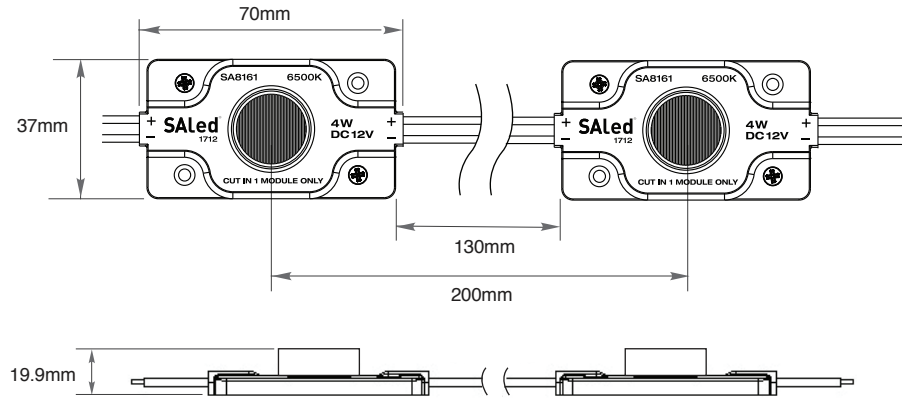
Angle Beam



Physical Characteristics

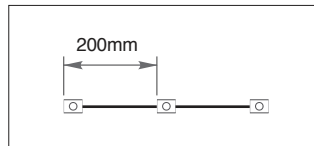
Dimensions(L*W*H)	70*37*19.9
Weight	58g

Profile Drawings



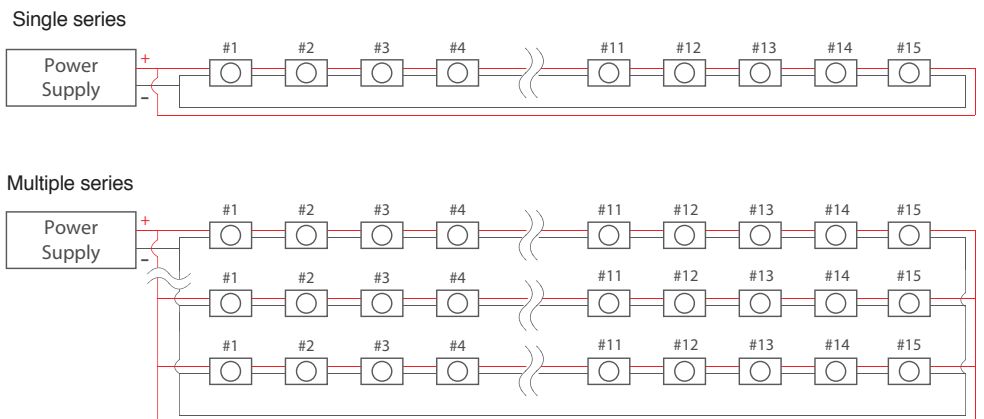
Module Layout Guides

1 LED



DC12V - Max in series 15 EA

*Up-to 15 modules in a single series



I DC24V - Max in series 20 EA

*Up-to 20 modules in a single series

