



LED NEO1

RGB LED Neon Flex

Features

- High efficacy 5050 SMD.
- Full colour range with RGB controller
- Easy installation on uneven surface
- 24V DC low voltage, safe and reliable.
- Cutting mark by every 55.6mm.
- 5 year warranty

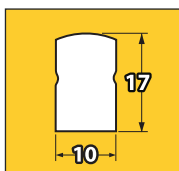
Specification

| | |
|---------------------|---------------------------------------|
| Power Consumption | 17.3W/M |
| Voltage | DC24V |
| Current Dissipation | 0.720A |
| Available Colour | Full colour range with RGB controller |
| Cutable Length | 55.6mm |
| Available Length | 3M, 5M, 10M |
| Number of LED | 108 pcs/M |

Technical Characteristics

| Colour | CCT(K)/Wavelength | Luminous Flux(lm) | Efficacy(lm/W) |
|--------|-------------------|-------------------|----------------|
| Red | 617 | 56 | 12.8 |
| Green | 515 | 137 | 21.1 |
| Blue | 462 | 27 | 4.0 |
| RGB | 100000 | 134 | 7.9 |

Dimensions (mm)



| | |
|---------------|----------|
| Viewing Angle | 120° |
| IP Rating | IP67 |
| CRI (Ra) | 80+ |
| Dimmable | Dimmable |
| LED Type | 5050 LED |

Temperature Ranges

| | |
|-----------------------|--------|
| Operating temperature | -20~60 |
| Storage temperature | -20~70 |

Warranty

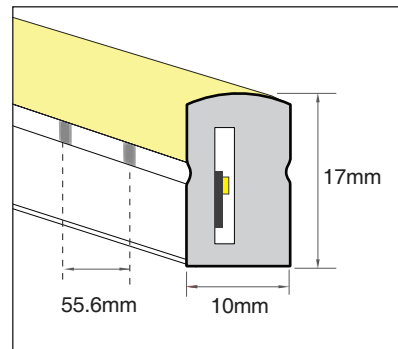
| | |
|----------|---------|
| Warranty | 5 Years |
|----------|---------|

Physical Characteristics

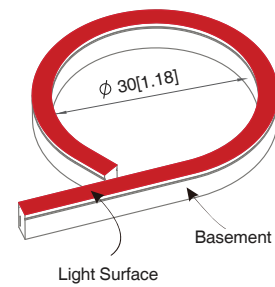
| | |
|-------------------|--------------|
| Dimensions(L*W*H) | 5000*17*10mm |
| Weight | 400g |

Profile Drawings

Sectional View



Minimum Bending Diameter



Accessories

Endcap



Straight
SA 9592



Without Hole
SA 9591

Mount



Clear Mount 12mm
SA 957



AL Mount_35mm
SA 955



AL Mount 1M
SA 954