

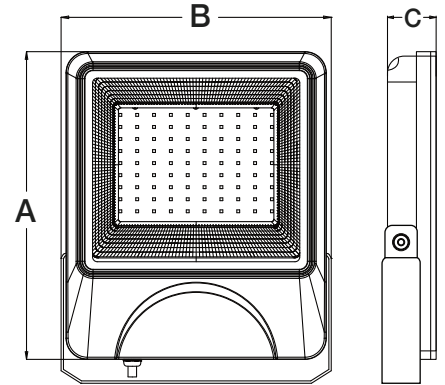
ULTRA SLIM LED FLOODLIGHT

INSTALLATION GUIDE

Fixture Dimension

Size : mm

ITEM CODE	POWER	A	B	C	WEIGHT(KG)
SL 51113	30W	215	175	47	1.35Kg
SL 51123	50W	275	225	48	2.1Kg
SL 51133	100W	325	275	53	3.5Kg
SL 51143	150W	385	305	58	4.95Kg
SL 51153	200W	465	354	65	8.3Kg



CAUTION

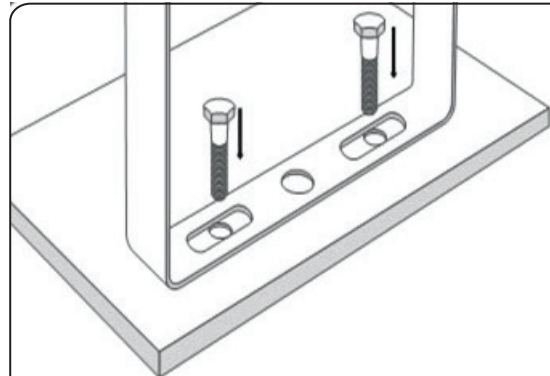
***Must be installed by a licensed electrician.**

1. Before installation, Please read this instructions carefully.
2. Please switch off power supply before installation.
3. To avoid possible damage to the eyes, do not stare at LED light source long time.

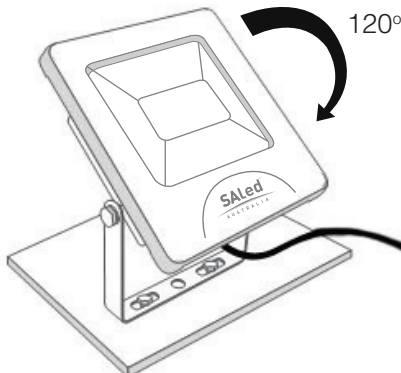
Installation Guide



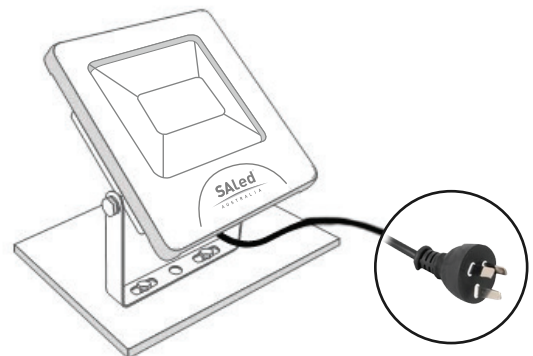
STEP 1. Drill holes in the slot position by measuring (A) on the bracke.



STEP 2. Install fixings securely.

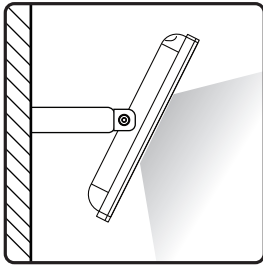


STEP 3. The rotation angle of the bracket is up to 120 degrees and lock the screws securely.

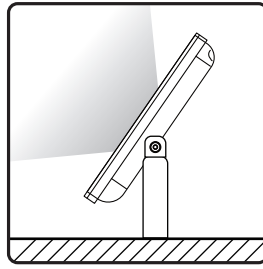


STEP 4. Turn on the main power with 3 pin plug. Installation is finished.

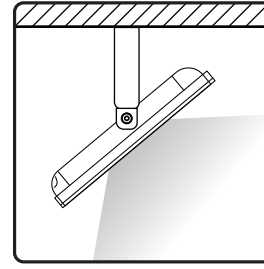
I Installation Case



Wall Mounting



Ground Mounting



Overhead Mounting

I Specification

- Operation Temperature: -20 °C --+50 °C
- Input Voltage : AC85-265 50/60Hz
- Temp colour : 6500K
- CRI : >80
- Beam angle : 120 Degree



I Quality Warranty

1. Quality guarantee is based on storing, installing, operating and maintaining correctly in the normal operation condition.
2. It is not included in our maintaining range when installing inappropriately, breaking the operating rules, and leading to the products damaging.
3. Our company will maintain the right to either repair, parts replacing or products exchange during the quality warranty period.
4. **3 years warranty.**