



LED NEON FLEX

NSF2-4 Slim LED Neon Flex

Features

- Unique extrusion process and electronic design.
- High quality circuit for stable and reliable performance
- Side bending and small size for easy modeling
- 12V DC low voltage, safe and reliable.
- Cutting mark by every 25mm(0.98 inch).
- 5 year warranty

Specification

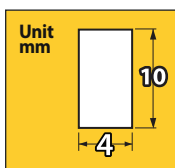
Item Code	Colour	CCT(K)/Wavelength	Luminous Flux(lm)	Efficacy(lm/W)
SA 66741	Pure white	6,500	344	26.3
SA 66742	Warm white	3,000	670	24.65
SA 66743	Red	620-625	129	8.6
SA 66744	Blue	465-470	325	4.6
SA 66746	Green	520-525	117	20.65
SA 66747	Yellow	587-589.5	117	5.38



Technical Characteristics

Power Consumption	9.6W/M
Voltage	DC12V
Current Dissipation	0.8A
Viewing Angle	115°
IP Rating	IP67
CRI (Ra)	80+
Dimmable	Dimmable

Dimensions (mm)



LED Type	2835 LED
LED Quantity	120 pcs/M
Cutable Length	25mm

Temperature Ranges

Operating temperature	-20~60°
Storage temperature	-20~70°

Warranty

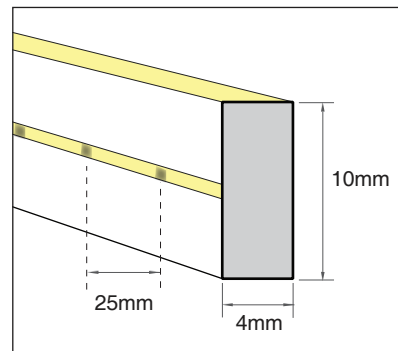
Warranty	5 Years
----------	---------

Physical Characteristics

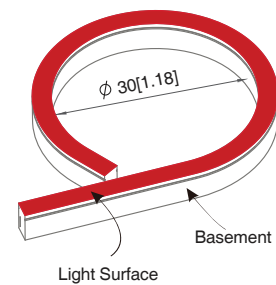
Dimensions(L*W*H)	5000*20*18mm
Weight	400g

Profile Drawings

Sectional View



Minimum Bending Diameter



Essential Tool & Accessories

END CAP



Without Hole
SA 9502



With Hole
SA 9501

TOOL



Neon cutter
SA 947