



LED NEO1

RGB LED Neon Flex

Features

- High efficacy 5050 SMD.
- Full colour range with RGB controller
- Easy installation on uneven surface
- 24V DC low voltage, safe and reliable.
- Cutting mark by every 55.6mm.
- 4 year warranty

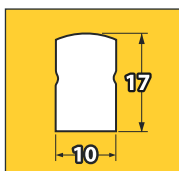
Specification

Power Consumption	17.3W/M
Voltage	DC24V
Current Dissipation	0.720A
Available Colour	Full colour range with RGB controller
Cutable Length	55.6mm
Available Length	3M, 5M, 10M
Number of LED	108 pcs/M

Technical Characteristics

Colour	CCT(K)/Wavelength	Luminous Flux(lm)	Efficacy(lm/W)
Red	617	56	12.8
Green	515	137	21.1
Blue	462	27	4.0
RGB	100000	134	7.9

Dimensions (mm)



Viewing Angle	120°
IP Rating	IP67
CRI (Ra)	80+
Dimmable	Dimmable
LED Type	5050 LED

Temperature Ranges

Operating temperature	-20~60°C
Storage temperature	-20~70°C

Warranty

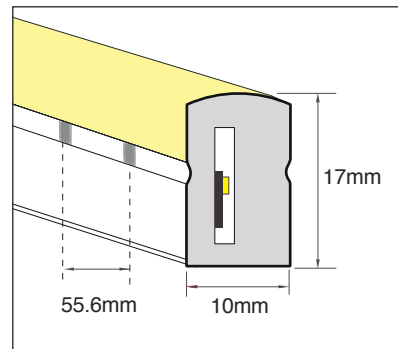
Warranty	4 Years
----------	---------

Physical Characteristics

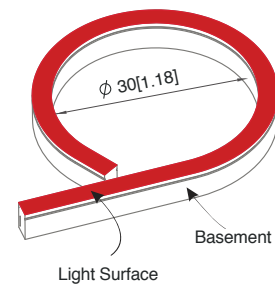
Dimensions(L*W*H)	5000*17*10mm
Weight	400g

Profile Drawings

Sectional View



Minimum Bending Diameter



Accessories

Endcap



Straight
SA 9592



Without Hole
SA 9591

Mount



Clear Mount 12mm
SA 957



AL Mount_35mm
SA 955



AL Mount 1M
SA 954