

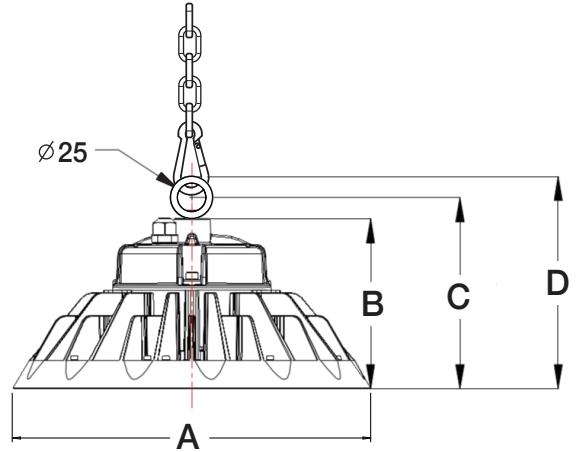
LED HIGHBAY LIGHT

INSTALLATION GUIDE

I Fixture Dimension

Size : mm

ITEM CODE	POWER	A	B	C	D	WEIGHT(KG)
SL 62213	100W	247	128.8	146	163.5	2.7Kg
SL 62223	150W	294	140	157.2	174.7	3.5Kg
SL 62233	200W	320	153.6	170.8	188.3	4.2Kg
SL 62243	240W	320	153.6	170.8	188.3	4.2Kg

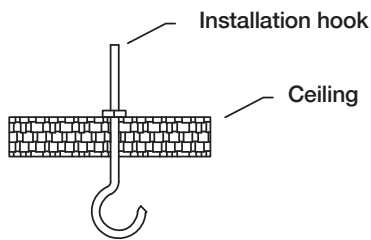


CAUTION

***Must be installed by a licensed electrician.**

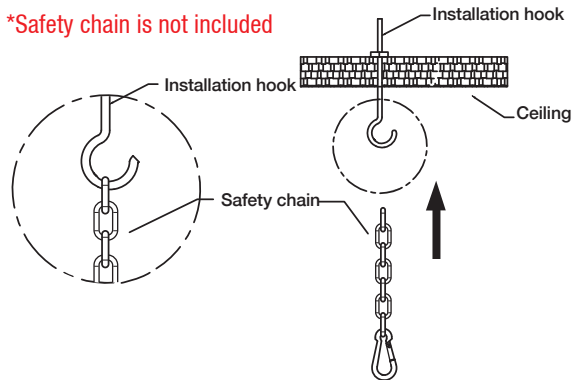
1. Before installation, Please read this instructions carefully.
2. Please switch off power supply before installation.
3. To avoid possible damage to the eyes, do not stare at LED light source long time.

I Installation Guide

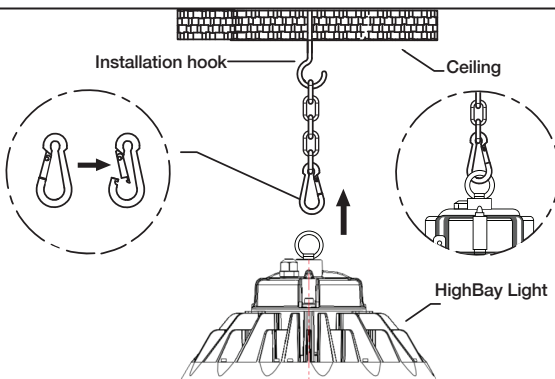


STEP 1. Fix the installation hook into the ceiling.

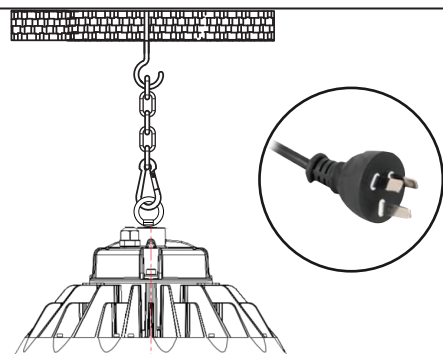
***Safety chain is not included**



STEP 2. Hang the safety chain on the hook.



STEP 3. Fix the ring of the lamp onto the installation hook. Fix the safety chain onto the installation hook.



STEP 4. Turn on the main power with 3 pin plug. Installation is finished.

I Specification

- Operation Temperature : -30°~50°C
- Input Voltage : AC100V - 277V
- Temp colour : 6000K
- CRI >80+
- Beam angle : 90 Degree (100W,150W,200W), 120 Degree (100W,150W,200W)
- **Safety chain is not included**

I Quality Warranty

1. Quality guarantee is based on storing, installing, operating and maintaining correctly in the normal operation condition.
2. It is not included in our maintaining range when installing inappropriately, breaking the operating rules, and leading to the products damaging.
3. Our company will maintain the right to either repair, parts replacing or products exchange during the quality warranty period.
4. **5years warranty.**

I Safety Note

- Non professional do not operate the relative work.
 - **Suitability : For indoor application only.**
1. Please do not hit or press it with heavy substance.
 2. Please handle and transport gently.
 3. Please do not touch and twist the lamp when power is on.
 4. Light warm is normal when power is on.