



LED MODULES

SA S-Mini 3LED(2835) Series

Features

- Constant voltage.
- Compatible.
- 160° Wide beam angle.
- An ABS injection molding process ensures an excellent performance.
- Low power consumption, high brightness, and long service life.
- LED Type: 2835 LED Chip.
- 5Years Warranty.

Specification

Item Code	Colour	CCT(K)	Luminous Flux(lm)	Efficacy(lm/W)
SA 6301	PW	7,000	100	93
SA 6302	WW	3,000	100	93
SA 6303	CW	10,000	100	93

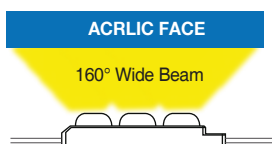
Technical Characteristics

Power Consumption	0.72W/M
Voltage	DC12V
Current Dissipation	0.06 A
Viewing Angle	160°
IP Rating	IP67
CRI (Ra)	75+
LED Type	2835 LED

Certification



Angle Beam



Temperature Ranges

Operating temperature	-25~60°
Storage temperature	-25~80°

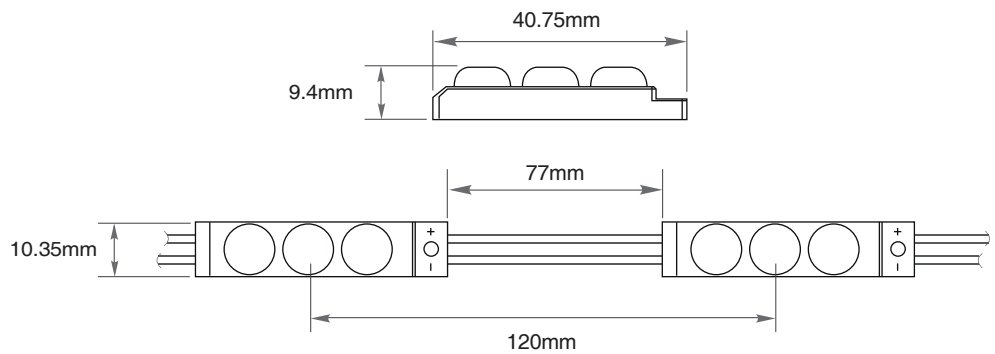
Warranty

Warranty	5 Years
----------	---------

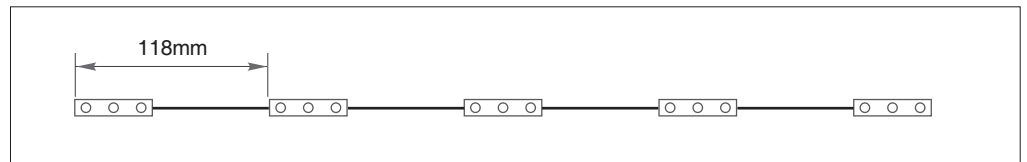
Physical Characteristics

Dimensions(W*H*D)	40.75*9.4*10.35mm
Weight	290g

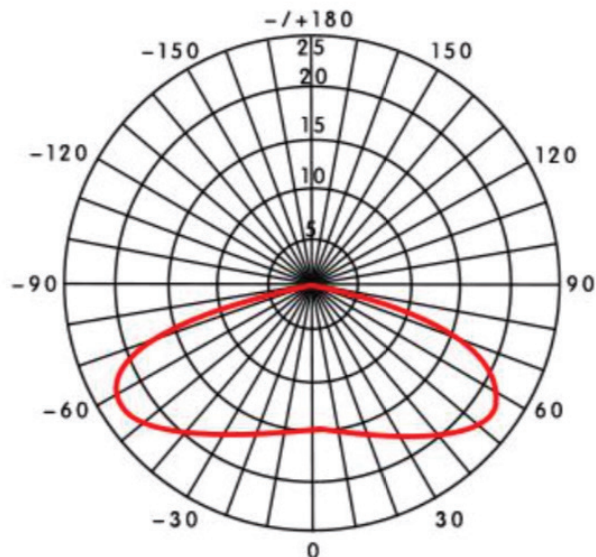
Profile Drawings



Module Layout Guides



Luminous intensity distribution diagram



Max in series 50 EA

*Up-to 50 modules in a single series

