



## LED MODULES

# SA S-Mini 3LED(2835) Series

## Features

- Constant voltage.
- Compatible.
- 160° Wide beam angle.
- An ABS injection molding process ensures an excellent performance.
- Low power consumption, high brightness, and long service life.
- LED Type: 2835 LED Chip.
- 5Years Warranty.

## Specification

Item Code	Colour	CCT(K)	Luminous Flux(lm)	Efficacy(lm/W)
SA 6301	PW	7,000	100	93
SA 6302	WW	3,000	100	93
SA 6303	CW	10,000	100	93

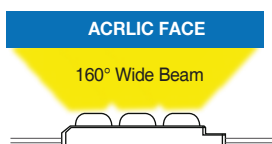
## Technical Characteristics

Power Consumption	0.72W/M
Voltage	DC12V
Current Dissipation	0.06 A
Viewing Angle	160°
IP Rating	IP67
CRI (Ra)	75+
LED Type	2835 LED

## Certification



Angle Beam



## Temperature Ranges

Operating temperature	-25~60°
Storage temperature	-25~80°

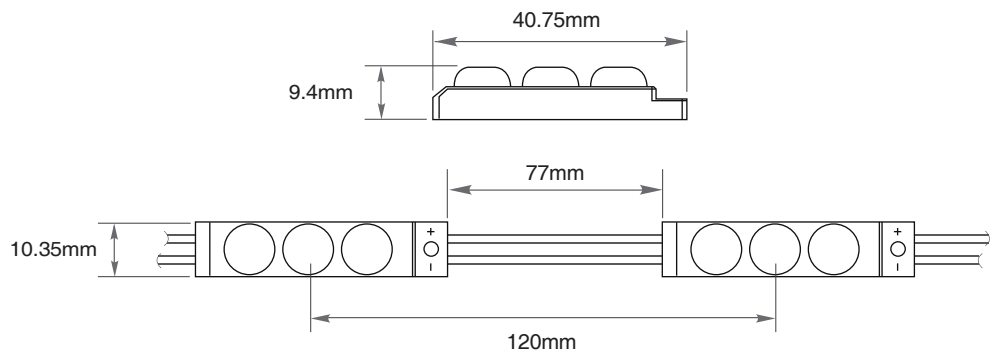
### Warranty

Warranty	5 Years
----------	---------

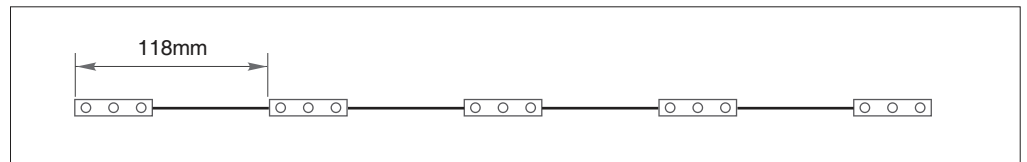
### Physical Characteristics

Dimensions(L*W*H)	40.75*10.35*9.4mm
Weight	290g

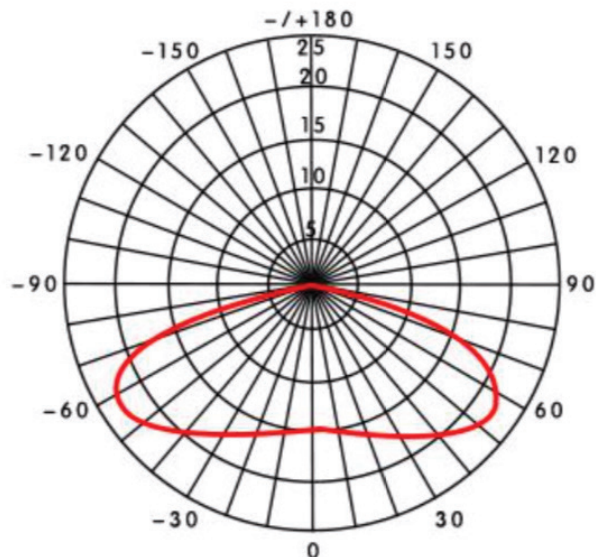
### Profile Drawings



### Module Layout Guides



### Luminous intensity distribution diagram



Max in series 50 EA

