

LED NEON FLEX

NDR2018 Vertical LED Neon Flex

Features

- Unique extrusion process and electronic design can be bended in vertical way.
- Adopting quality silicone material and one step molding production technique.
- Special extrusion workmanship, smart in size, good bending performance
- Cutting mark by every 62.5mm(1.97 inch).
- IP68 with excellent weather resistance
- 5 year warranty

Specification

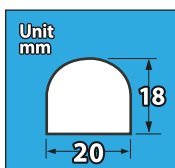
Item Code	Colour	CCT(K)/Wavelength	Luminous Flux(lm)	Efficacy(lm/W)
SA 10K	Pure white	6,000	1,305	82
SA 10J	Warm white	3,000	670	64
SA 10B	Red	620-625	290	20
SA 10E	Blue	460-470	224	14
SA 10D	Green	520-525	925	57
SA 1AC	Yellow	587-589.5	332	22



Technical Characteristics

Power Consumption	15.36W/M
Voltage	DC24V
Current Dissipation	0.625A
Viewing Angle	156°
IP Rating	IP68
CRI (Ra)	80+
Dimmable	Dimmable

Dimensions (mm)



LED Type	5050 LED
LED Quantity	96pcs/M
Cutable Length	62.5mm
Available Length	15M / 30M

Temperature Ranges

Operating temperature	-20~60°
Storage temperature	-20~70°

Warranty

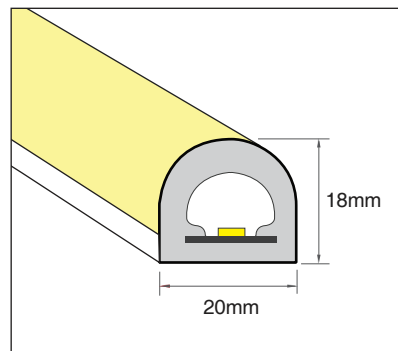
Warranty	5 Years
----------	---------

Physical Characteristics

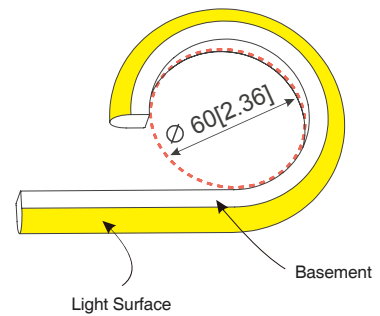
Dimensions(L*W*H)	5000*20*18mm
Weight	872g(15M) / 9kg(30M)

Profile Drawings

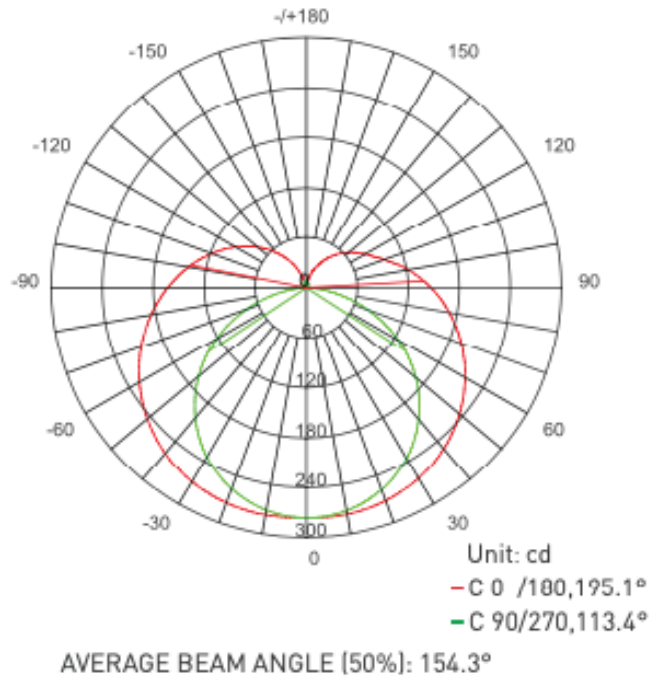
Sectional View



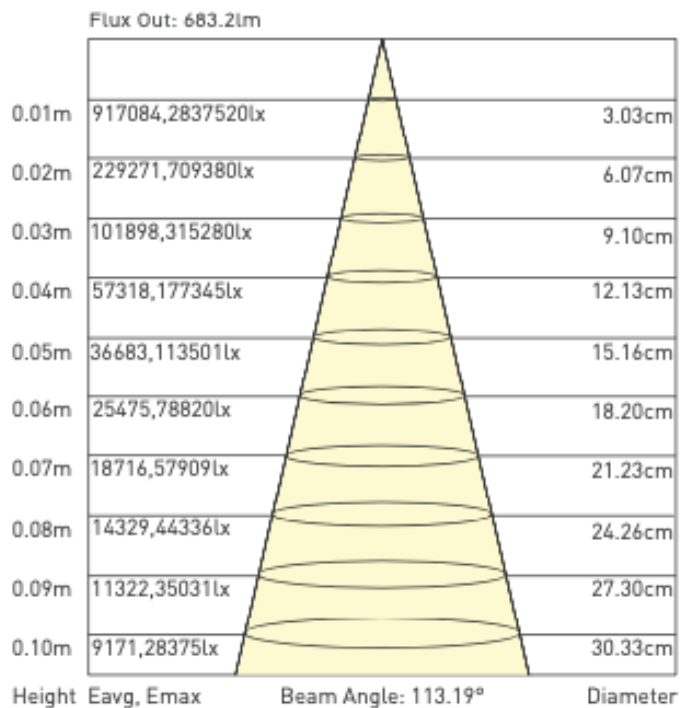
Minimum Bending Diameter



Luminous Intensity Distribution Diagram



Average Illumination



| Accessories

End cap



Without Hole
SA 10L



Straight Hole
SA 10M

Mount



Clear Mount 25mm
SA 10N



AL Clear Mount 25mm
SA 10Q



AL Clear Mount 1M
SA 10R