

## LED MODULES

# SA 4 LED(5050) RGB

### Features

- Lighting source adopt SMD5050 LED
- Constant voltage & Reverse Protection Circuit
- Compatible.
- Injection craft with good protect effect
- Low power consumption, high brightness, and long service life
- Approved CE, RoHS certificates, fire rating UL94 V-0 test.
- 5Years Warranty

### Specification

Item Code	Power(W)	Current Dissipation(A)	Luminous Flux(lm)	CCT(K)
SA 6497	1.44W	0.12A	R : 1.5 - 2lm G : 3.5 - 4lm B : 1 - 1.5lm	R : 620-630 G : 520-530 B : 465-473

### Technical Characteristics

Voltage	DC12V
IP Rating	IP65
Viewing Angle	120°
Colour	RGB
LED Type	5050 LED

### Certification



### Temperature Ranges

Operating temperature	-25~60°
Storage temperature	-25~70°

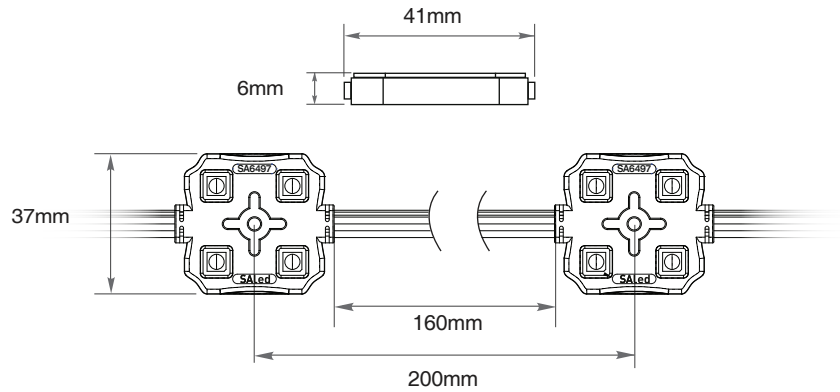
### Warranty

Warranty	5 Years
----------	---------

## Physical Characteristics

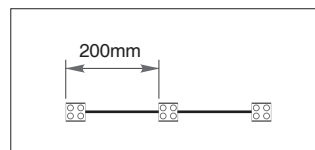
Dimensions(W*H*D)	41*37*6mm
Weight	11.20g

### Profile Drawings

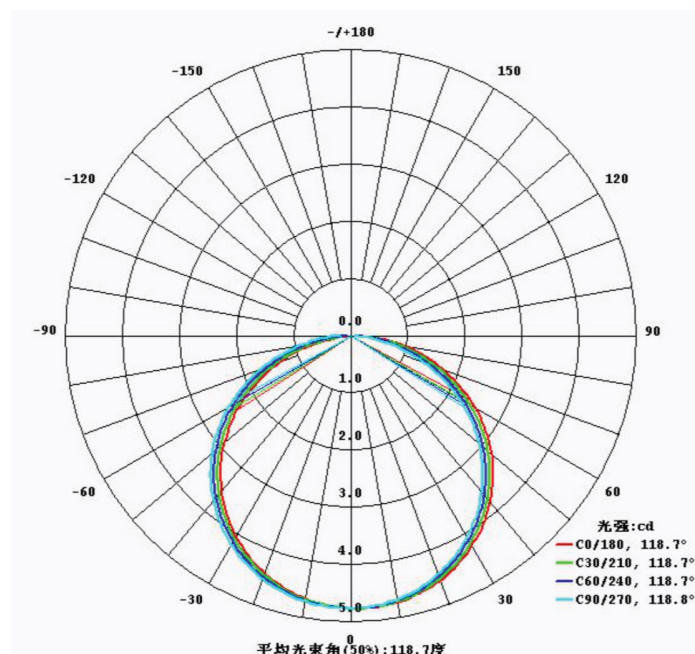


### Module Layout Guides

4LED



## Luminous intensity distribution diagram



Max in series 50 EA

