

LED MODULES

SA HLC3S (5050) RGB

Features

- High efficiency **SAMSUNG** 5050LED Mounted.
- Constant voltage & Reverse Protection Circuit
- **DALI** Compatible.
- 7 Colour Available (R,G,B,Y,P,C,W) with RGB Controller
- Approved CE, UL, RoHS Certified
- Max. Module Pitch : 167mm
- Made in Korea
- 5Years Warranty

Specification

Item Code	Power(W)	Luminous Flux(lm)	Efficiency(lm/W)	Wavelength
SA 327	0.7W	R : 7.2 G : 15 B : 4.2 W : 24.4	R : 10 G : 22 B : 6 W : 34	R : 620-625 G : 520-525 B : 465-470

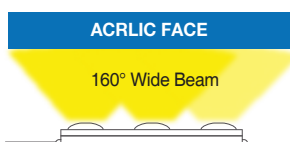
Technical Characteristics

Voltage	DC12V
Current(A)	0.06A
IP Rating	IP67
View Angle	160°
Max. Module Pitch (mm)	167mm (Centre to Centre)
LED Type	5050 LED (SAMSUNG CHIP)
LED Wire & length	UL18 AWG (Tin coated cooper)
Case materials	ABS

Certification



Angle Beam



Temperature Ranges

Operating temperature	-20~60
Storage temperature	-40~75

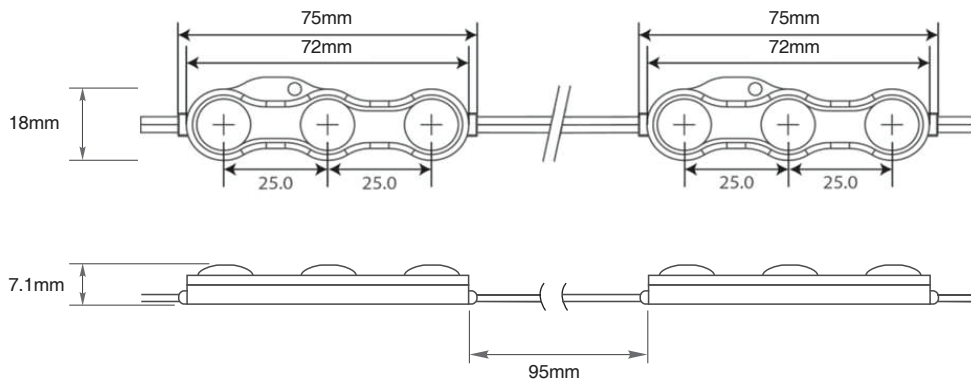
Warranty

Warranty	5 Years
----------	---------

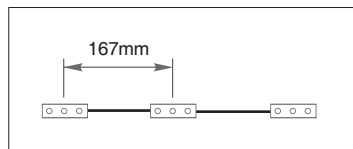
Physical Characteristics

Dimensions(L*W*H)	72*18 *7.1mm
Weight	9g

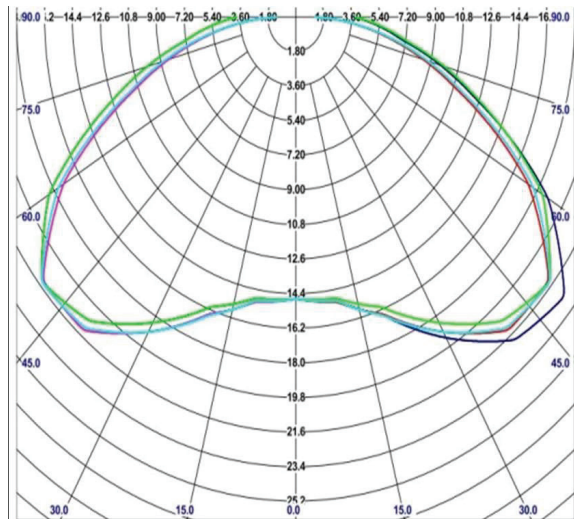
Profile Drawings



Module Layout Guides



Luminous intensity distribution diagram



Max in series 50 EA

*Up-to 50 modules in a single series

