



LED MODULES

SA HLC4 HX(2835)

Features

- 2rd Generation
- High efficiency 2835LED Mounted.
- Constant voltage & Reverse Protection Circuit
- Compatible.
- 160° Wide beam angle
- Approved CE, UL, RoHS Certified
- Made in Korea
- 5Years Warranty

Specification

Item Code	Power(W)	Current Dissipation(A)	Luminous Flux(lm)	Efficiency(lm/W)
SA 1441	1.8W	0.15	141	78

Technical Characteristics

Voltage	DC12V
CCT(K)	6500K
Colour	PureWhite
IP Rating	IP67
View Angle	160°
CRI (Ra)	80+
Max. Module Pitch	143mm (Centre to Centre)
LED Type	2835 LED (SAMSUNG CHIP)
LED Wire	UL18 AWG (Tin coated cooper)
Case materials	ABS(100mm)

Certification



Angle Beam



Temperature Ranges

Operating temperature	-20~60
Storage temperature	-40~75

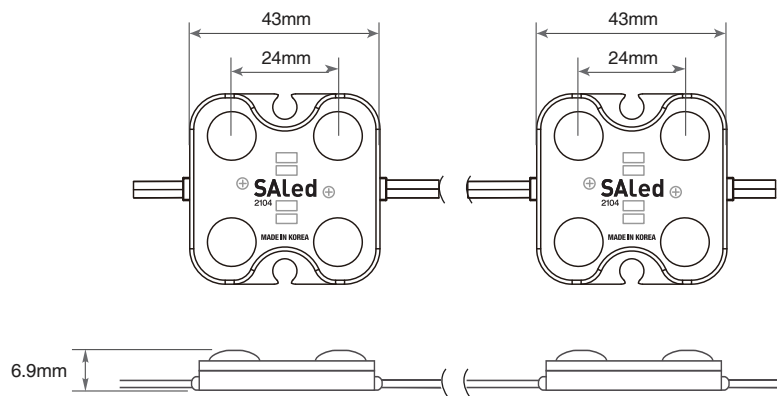
Warranty

Warranty	5 Years
----------	---------

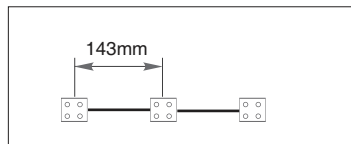
Physical Characteristics

Dimensions(L*W*H)	43*43 *6.9mm
Weight	12g

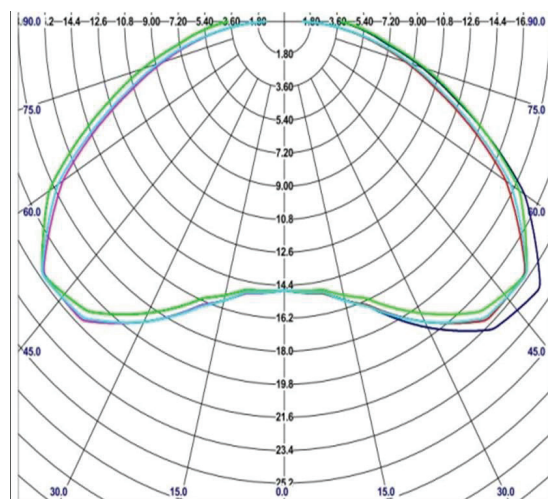
Profile Drawings



Module Layout Guides



Luminous intensity distribution diagram



Max in series 50 EA

*Up-to 50 modules in a single series

