



**LED NEON FLEX**

# Universal LED Neon Flex

## Features

- Fabricated with Eco-friendly, UV-resistant silicone material
- Unique extrusion process and electronic design can be bended in vertical way
- Small size to satisfy different requirements
- Flexible PCB with SMD LED technology.
- 12V, 24V DC Available.
- 5 year warranty

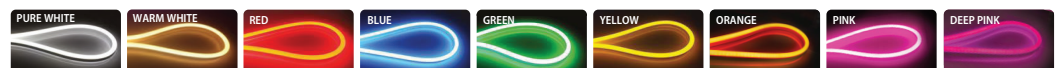
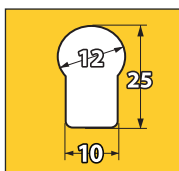
## Specification

	12V	24V
Power Consumption	9.12W/M	9.6W/M
Voltage	DC12V	DC24V
Current Dissipation	0.76A	0.4A
Available Colour	PW, R, G, Y, DP	PW, WW, R, B, G, Y, P, DP
Cutable Length	26.32mm	50mm
Available Length	5M	3M, 5M, 10M, 20M
Number of LED	114 pcs/M	120 pcs/M
Viewing Angle	175°	180°

## Technical Characteristics

Colour	CCT(K)/Wavelength	Luminous Flux(lm)	Efficacy(lm/W)
Pure White	6,500	546	22.75
Warm White	3,000	546	22.75
Red	620-625	231	9.6
Blue	465-470	91	3.79
Green	520-525	438	18.25
Yellow	585-590	686	28.58
Pink	25,000-35,000	105	4.38
Deep Pink	1600-1700	70.83	2.95

Dimensions (mm)



**Technical Characteristics**

IP Rating	IP67
CRI (Ra)	80+
Dimmable	Dimmable
LED Type	3014 LED

**Certification**



**Temperature Ranges**

Operating temperature	-25~60°C
Storage temperature	-20~70°C

**Warranty**

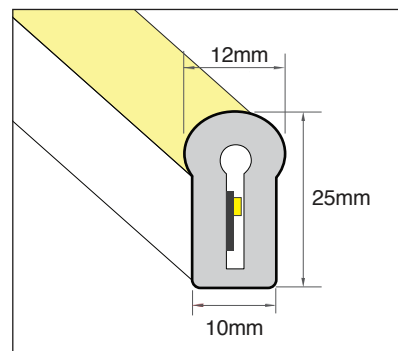
Warranty	5 Years
----------	---------

**Physical Characteristics**

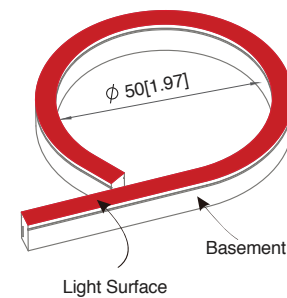
Dimensions(L*W*H)	5000*12*25mm
Weight	1.2kg

**Profile Drawings**

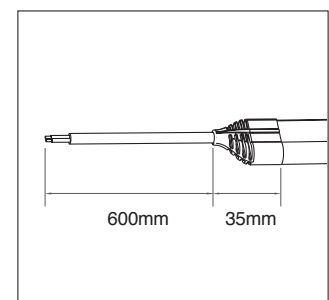
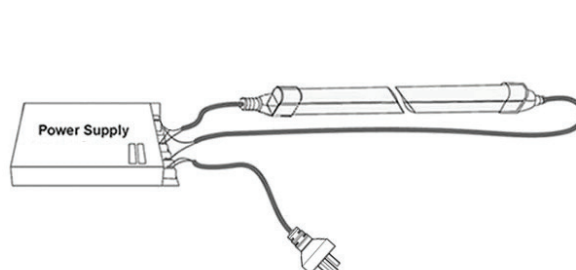
Sectional View



Minimum Bending Diameter

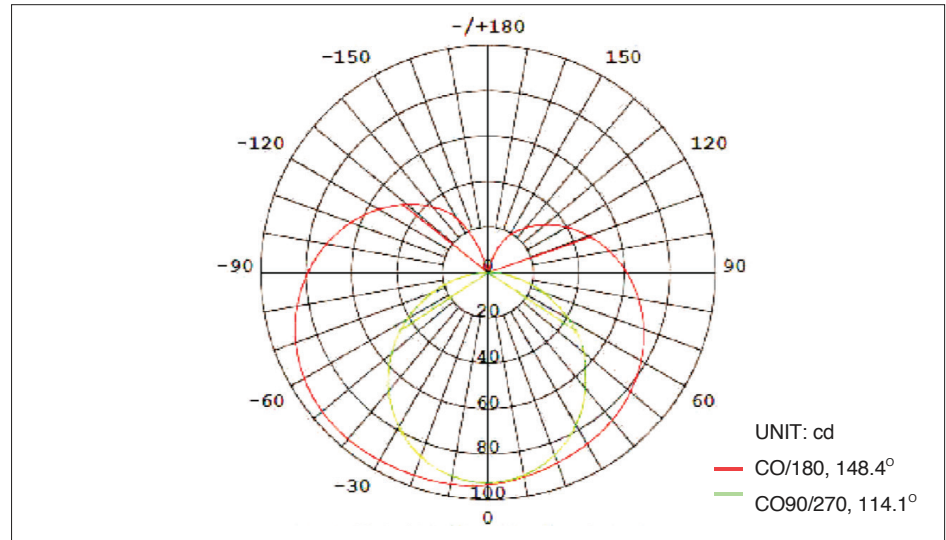


Double end feed



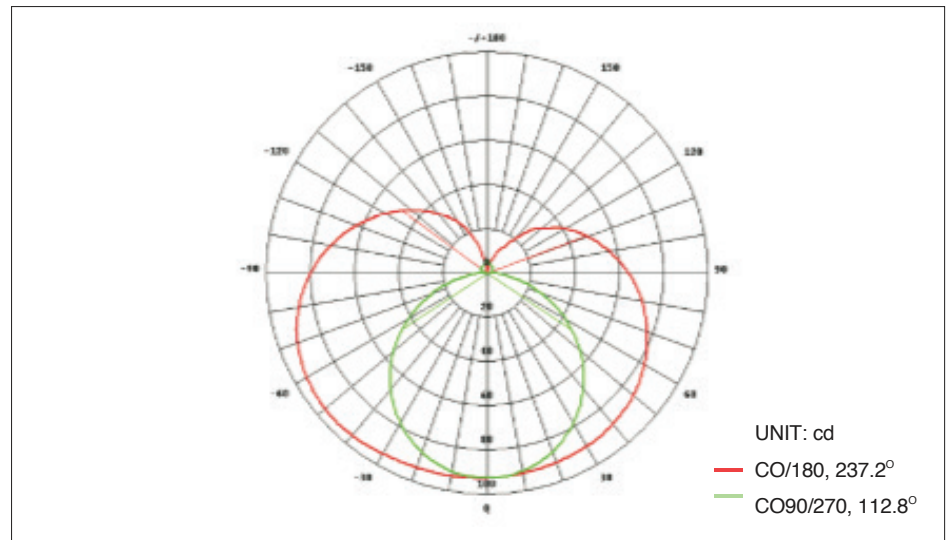
## Photometry

12V



Average Beam Angle (50%) : 131.2°

24V



Average Beam Angle (50%) : 175°

## | Accessories

### Connector



Right Side  
SA 9512



Left Side  
SA 9511



Bottom Side  
SA 9513



Connection  
SA 951



Connection  
SA 9582



Splice Connector  
SA 9514



Quick Connector  
SA 9515



Splice Connector  
SA 953



L-Shape Connector  
SA 9531

### Mount



Silicone End Cap  
SA 956



Clear Mount 12mm  
SA 957



AL Mount\_35mm  
SA 955



AL Mount 1M  
SA 954