



LED MODULES

SA L-Side Mini 1 LED

Features

- Constant current (Non-DALI Compatible).
- Sourced by high output SMD3535, good color conformity and no spot.
- Special lens design, 10° x 65° angle beam and light evenly
- Overmoulded: anti-dusting, anti-moisture, waterproof, anti-shock.
- Cutable every 1 LED Module
- CE, ROHS and UL certified.
- 5 Years Warranty

Specification

Item Code	Power(W)	Luminous Flex(lm)	Current Dissipation(A)	CCT
SA 4151	1.32W	125	0.11	6500K

Technical Characteristics

Voltage	DC12V
Efficiency	95lm/W
IP Rating	IP65
View Angle	10° x 65°
Colour	Pure white
CRI (Ra)	75+
LED Type	3535 LED

Certification



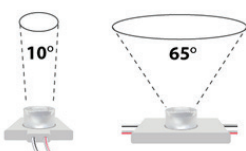
Temperature Ranges

Operating temperature	-25~60°C
Storage temperature	-25~70°C

Warranty

Warranty	5 Years
----------	---------

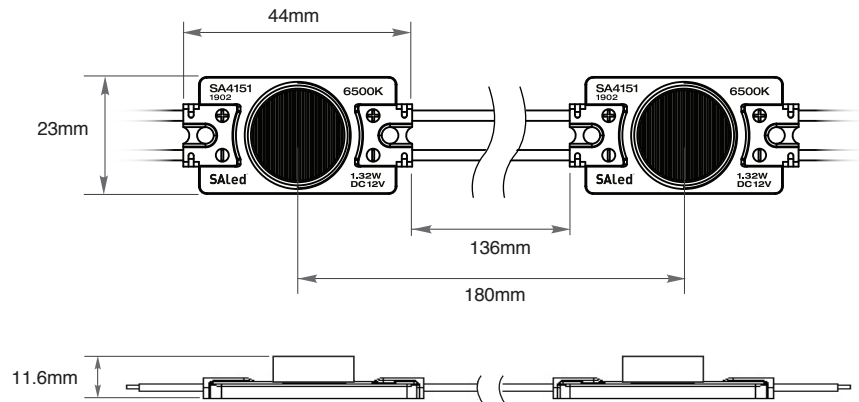
Angle Beam



Physical Characteristics

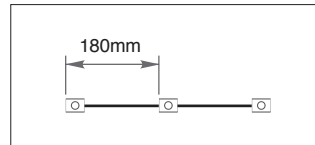
Dimensions(L*W*H)	44*23*11.6
Weight	9.8g

Profile Drawings

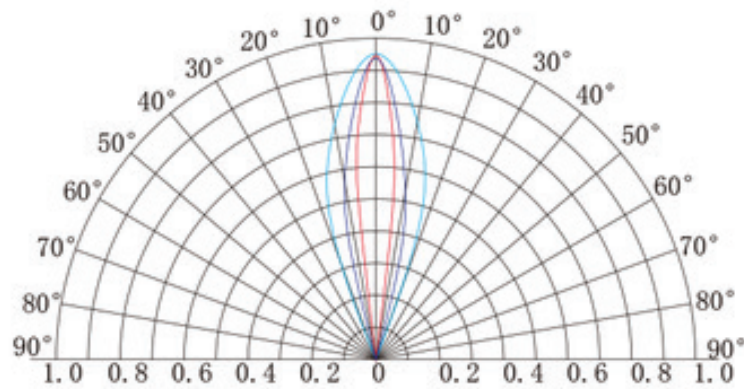


Module Layout Guides

1 LED



Luminous intensity distribution diagram



Beaming Angle 10x65°

Max in series 20 EA

*Up-to 20 modules in a single series

