



## LED NEON FLEX

# Universal LED Neon Flex

### Features

- Fabricated with Eco-friendly, UV-resistant silicone material
- Unique extrusion process and electronic design can be bended in vertical way
- Small size to satisfy different requirements
- Flexible PCB with SMD LED technology.
- 12V, 24V DC Available.
- 5 year warranty

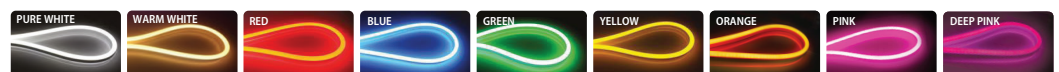
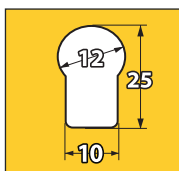
### Specification

	12V	24V
Power Consumption	9.12W/M	9.6W/M
Voltage	DC12V	DC24V
Current Dissipation	0.76A	0.4A
Available Colour	PW, R, B, G, Y, O, DP	PW, WW, R, B, G, Y, O, P, DP
Cutable Length	26.32mm	50mm
Available Length	5M	3M, 5M, 10M, 20M
Number of LED	114 pcs/M	120 pcs/M
Viewing Angle	175°	180°

### Technical Characteristics

Colour	Item Code(12V/24V)	CCT(K)/Wavelength	Luminous Flux(lm)	Efficacy(lm/W)
Pure White	SA66491 / SA16451	6,500	546	22.75
Warm White	- / SA16452	3,000	546	22.75
Red	SA66493 / SA16455	620-625	231	9.6
Blue	SA66494 / SA1645K	465-470	91	3.79
Green	SA66496 / SA16456	520-525	438	18.25
Yellow	SA66497 / SA16457	585-590	686	28.58
Orange	- / SA1645G	600-605	227.62	23.71
Pink	- / SA16458	25,000-35,000	105	4.38
Deep Pink	SA6649R / SA1645R	1600-1700	70.83	2.95

Dimensions (mm)



**Technical Characteristics**

IP Rating	IP67
CRI (Ra)	80+
Dimmable	Dimmable
LED Type	3014 LED

**Certification**



**Temperature Ranges**

Operating temperature	-25~60°C
Storage temperature	-20~70°C

**Warranty**

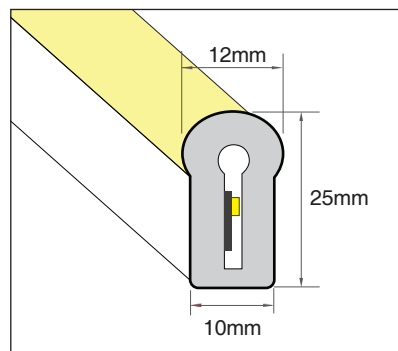
Warranty	5 Years
----------	---------

**Physical Characteristics**

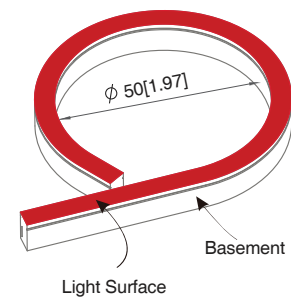
Dimensions(L*W*H)	5000*12*25mm
Weight	1.2kg

**Profile Drawings**

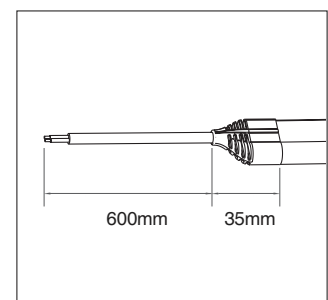
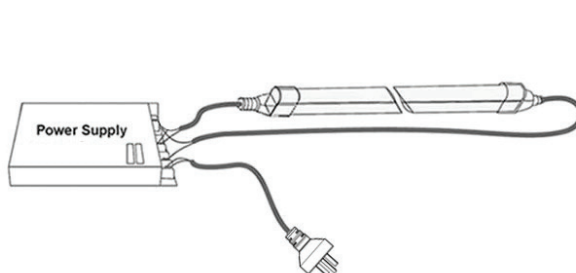
Sectional View



Minimum Bending Diameter

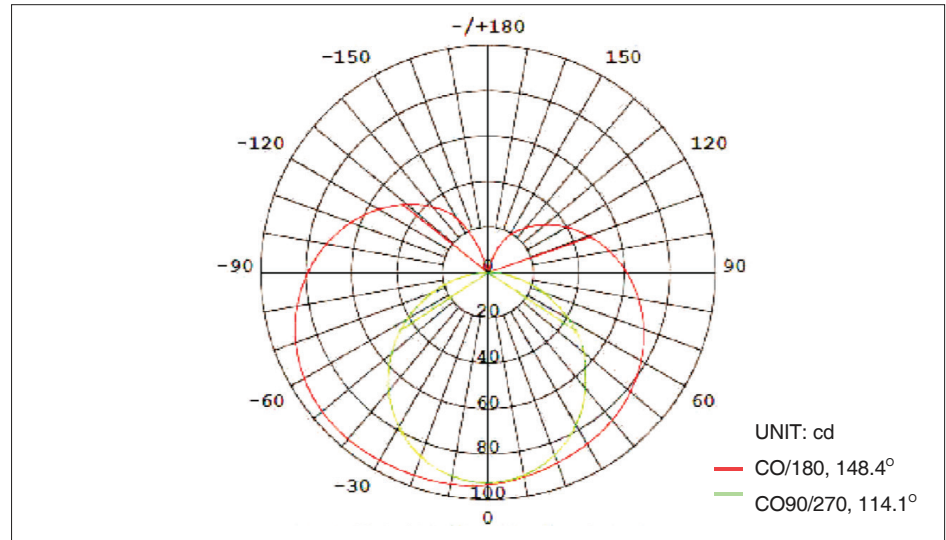


Double end feed



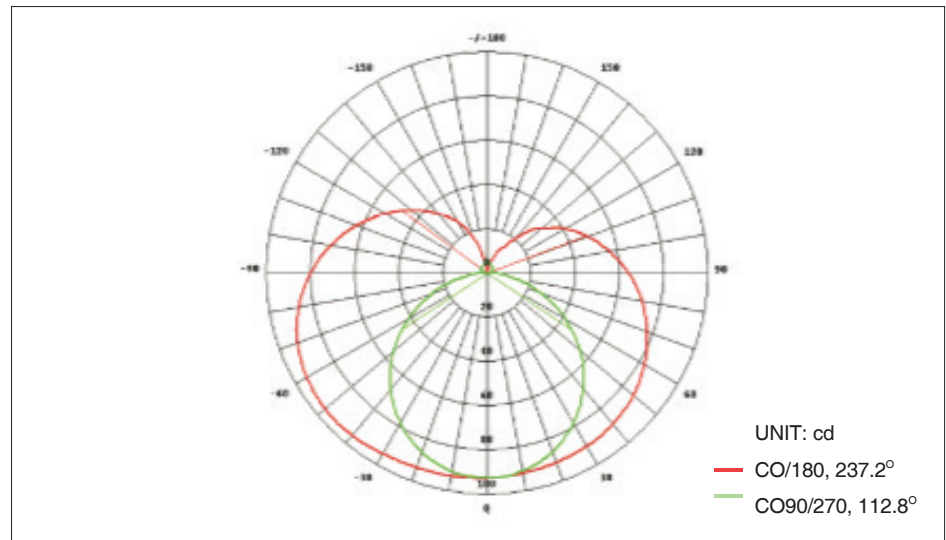
## Photometry

12V



**Average Beam Angle (50%) : 131.2°**

24V



**Average Beam Angle (50%) : 175°**

## | Accessories

### Connector



Right Side  
SA 9512



Left Side  
SA 9511



Bottom Side  
SA 9513



Connection  
SA 951



Connection  
SA 9582



Splice Connector  
SA 9514



Quick Connector  
SA 9515



Splice Connector  
SA 953



L-Shape Connector  
SA 9531

### Mount



Silicone End Cap  
SA 956



Clear Mount 12mm  
SA 957



AL Mount\_35mm  
SA 955



AL Mount 1M  
SA 954