



LED STRIP LIGHTING

WL COB WT RGB Strip

Features

- 7 Colour Available (R,G,B,Y,P,C,W) with RGB Controller
- Electronic dimming control supported
- 180° wide beam angle.
- Silicone tube encased - IP66.
- Flexible with 3M back tape, easy for installation.
- 5 years warranty

Specification

Item Code	Emitting Colour	Luminous Flux(lm)	Efficiency(lm/W)	Viewing Angle
WL 4SC5	Red	115	23	180°
	Green	325	65	180°
	Blue	75	15	180°

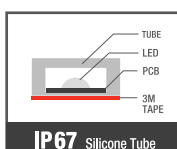
Technical Characteristics

Power Consumption	15W/M
Voltage	DC24V
Current Dissipation	0.625A
IP Rating	IP66
Cutable Length	50mm
Number of LED	840EA/M (4,200 LEDs)

Certification



IP Rating



Temperature Ranges

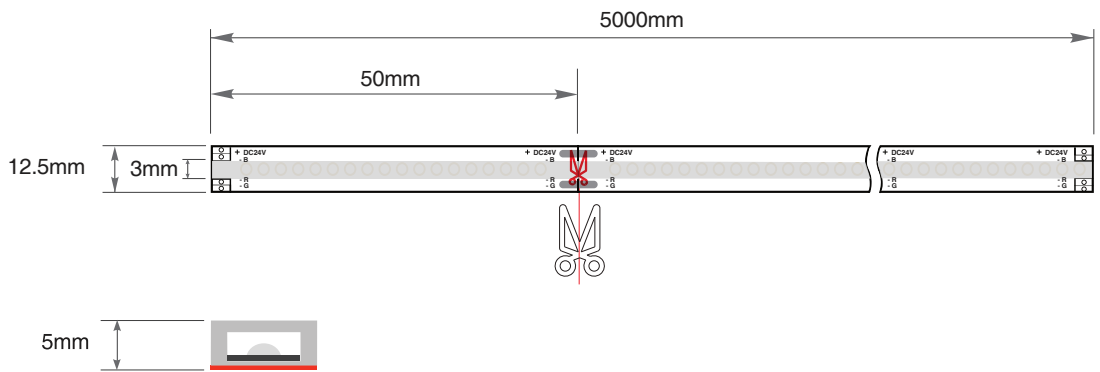
Operating temperature	-20~40°
Storage temperature	-20~45°

Warranty

Warranty	5 years
----------	---------

Physical Characteristics

Dimensions : mm (W*H*M)	12.5 *5*5000
Weight	900g



Max in series 5 Metre

