



## LED MODULES

# SA HLC2S HW(2835)

## Features

- High efficiency **SAMSUNG** 2835 LED Mounted.
- Constant current ( Non-DALI Compatible).
- 160° Wide beam angle, Optic Lens applied.
- Approved CE, UL, RoHS, KS Certified
- Compact Design and Convenient Usability
- Made in Korea
- 5Years Warranty

## Specification

Item Code	Power(W)	Current(A)	Luminous Flux(lm)	Efficiency(lm/W)
SA 1242	0.72	0.06	67	93

## Technical Characteristics

Voltage	DC12V
CCT(K)	3000K
Colour	WarmWhite
IP Rating	IP68
View Angle	160°
CRI (Ra)	80+
Max. Module Pitch(mm)	110mm (Centre to Centre)
LED Type	2835 LED (SAMSUNG CHIP)
LED Wire	UL18 AWG (Tin coated cooper)

## Certification



## Temperature Ranges

Operating temperature	-20~60°
Storage temperature	-30~70

## Warranty

Warranty	5 Years
----------	---------

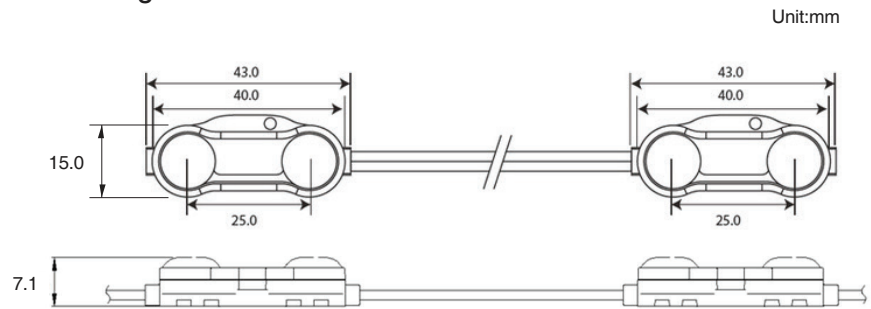
Angle Beam



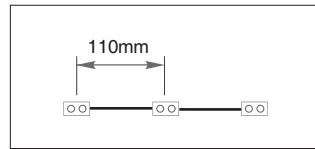
## Physical Characteristics

Dimensions(L*W*H)	43*15 x 7.1mm
Weight	8g

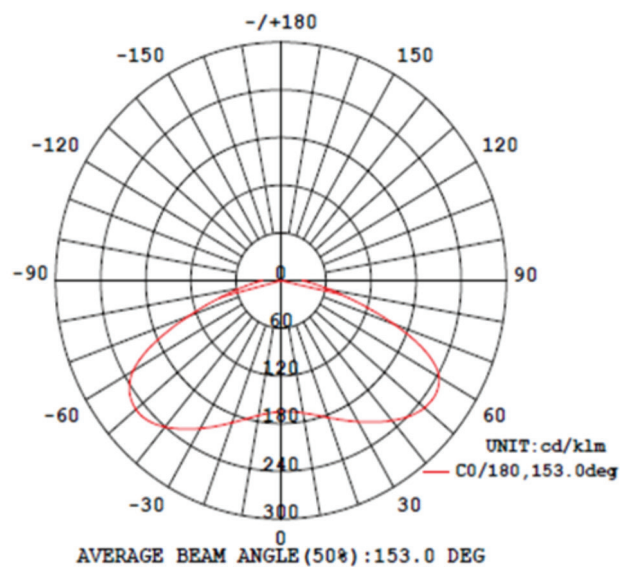
### Profile Drawings



### Module Layout Guides



## Luminous intensity distribution diagram



Max in series 50 EA

\*Up-to 50 modules in a single series

