

## LED MODULES

# SA HLC4 LX(5050) RGB

### Features

- High efficiency **SAMSUNG** 5050LED Mounted.
- Reverse voltage protection circuit.
- 160° Wide beam angle
- Max. Module Pitch : 142mm
- Made in Korea
- 5Years Warranty

### Specification

Item Code	Power(W)	Luminous Flux(lm)	Efficiency(lm/W)	Wavelength
SA 417	1.44W	R : 9.1 G : 23.4 B : 6.5 W : 35.9	R : 6 G : 16 B : 4 W : 25	R : 620-625 G : 520-525 B : 465-470

### Technical Characteristics

Voltage	DC12V
Current(A)	0.12A
IP Rating	IP68
View Angle	160°
CRI (Ra)	80+
Max. Module Pitch	142mm (Centre to Centre)
LED Type	5050 LED (SAMSUNG CHIP)
LED Wire	UL18 AWG (Tin coated cooper)
Case materials	ABS

### Certification



### Temperature Ranges

Operating temperature	-20~60°
Storage temperature	-40~75°

### Warranty

Warranty	5 Years
----------	---------

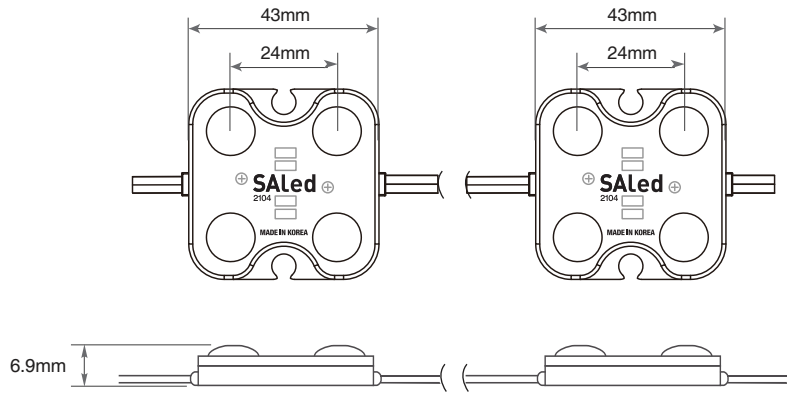
Angle Beam



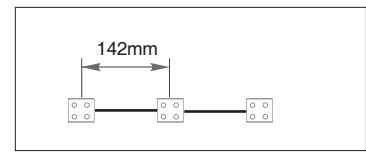
### Physical Characteristics

Dimensions(L*W*H)	43*43 *6.9mm
Weight	13g

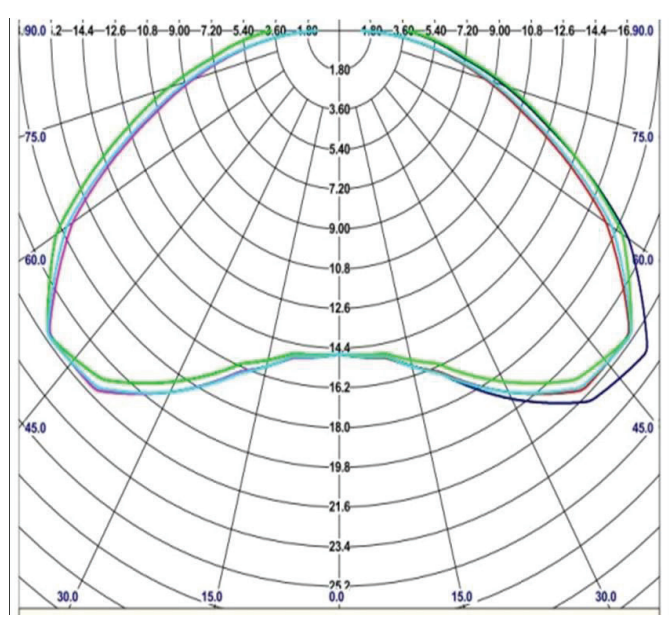
#### Profile Drawings



#### Module Layout Guides



### Luminous intensity distribution diagram



Max in series 50 EA

\*Up-to 50 modules in a single series

