



POWER SUPPLIES

BYG-18B-12

Features

- Constant voltage output
- Indoor use only
- Life time : >10,000h
- Australian input voltage of range 220~240VAC
- Short circuit / Over temperature / Over voltage / Over load protection
- Operating Temperature: -10°C ~ +40°C
- 1 Year Warranty.

Application

- Suitable for Industrial LED lighting.

Specification

Model	Item Code	Output Voltage(V)	Output Power(W)	Output Current(A)
BYG-60B-12	BT 2A11	12V	60W	5A
BYG-60B-24	BT 2A21	24V	60W	2.5A

Certification

SELV CE IP20 RoHS

Warranty

Warranty 1 year

Electrical Specifications

	Model	BYG-60B-12	BYG-60B-24
Input	Input voltage	230V	230V
	Voltage range(Vac)	220-240VAC	220-240VAC
	Input frequency(Hz)	50Hz	50Hz
	Input current(mA)	5000	2500
	Efficiency	≥ 85.75%	≥ 85.75%
	Standby consumpton(W)	< 0.5	< 0.5
	Power factor	< 0.9	< 0.9
	Inrush current(Ipk)	< 60A	< 60A
Output	Output voltage(V)	12V	24V
	Output current	5A	2.5A
	Output power(W)	60W	60W
	Startup time	< IS	< IS
	Ripple & noise	NA	NA
Protection	Over voltage protection	105%-150% Protection type : Auto restore	
	Short circuit protection	Protection type : Auto restore	
	Over temperature protection	Protection type : Auto restore	
	Over load protection	Protection type : Auto restore	
	Automatic restart	Protection type : Auto restore	
Environment Life	Over temperature protection	-20°C ••• +50°C	-20°C ••• +50°C
	Tc max.(°C)	85	85
	Storage Temperature(°C)	-30°C ••• +60°C	
	Ambient humidity range	20% ••• 90%RH	
	Nominal life-time(hrs)	5000@Tc=85	5000@Tc=85
EMC	Approval	TUV mark,TUV, EMC, ENEC, UL	
	Safety stands	IEC61347-1, IEC61347-2-13	
	EMI	IEC55015	
	EMS	IEC61547	
	Harmonic	EN IEC61000-3-2:2019, EN61000-3-3:2013+A1	
Other	Casing material	Plastic	
	IP grade	IP20	
	Connection mode	With Cable	
	Protection class	Class II for EU; Class 2 output for USA	

*All parameters NOT specially mentioned are measured at rated input or max rated input, and 25°C of ambient temperature.

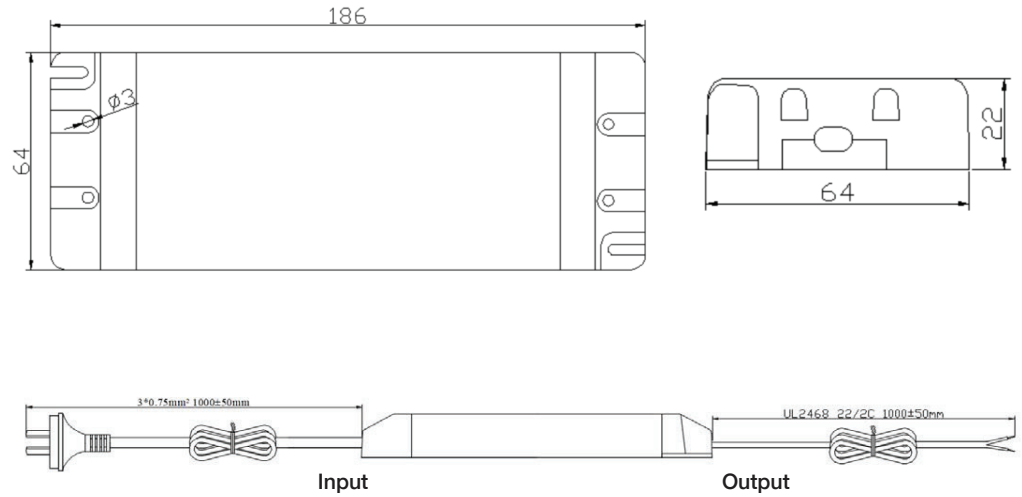
Input Line Dimension

Wire	AC Input
Specification	3 * 0.75mm ²
Type	1000 ±50mm

Output Line Dimension

Wire	DC Output
Specification	UL 2468 18/2C
Type	1000 ±50mm

Mechanical Outline



Physical Characteristics

Item Dimension (L x W x H)

Dimensions(L* W * H) mm	186 * 64 * 22
Weight	884g

Warnings & instructions

Warnings :

1. Keep out of reach of children.
2. Keep away from flammable materials and heat sources.
3. Only use as a power supply for 12V LED products.
4. Risk of electric shock : Do not attempt to open or touch internal components.
5. Do not expose to rain or moisture - Dry location use only.
6. Fixture and converter become hot during use, Do not cover.

This appliance is not intended for use by persons (including children) with reduced physical, sensory or mental capabilities, or lack of experience and knowledge, unless they have been given supervision or instruction concerning the use of the appliance by a person responsible for their safety. Children should be supervised to ensure that they do not play with the appliance.

Instructions :

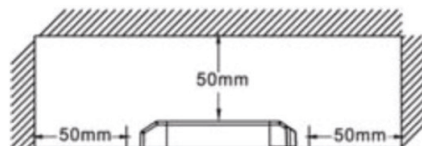
This driver is designed to provide a constant supply of voltage for LED products. A protective switch cuts power when a short circuit issue occurs, as well as in the case of overloading & overheating. After correcting faults, the driver should work again.

Procedure :

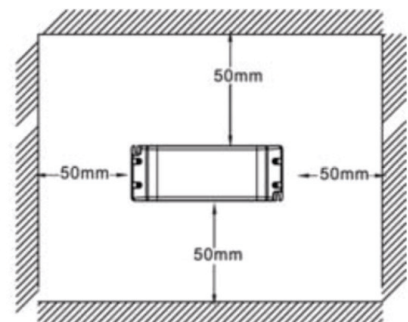
1. Ensure all power switches are turned off.
2. Connect LED product to the driver, ensuring correct polarity.
3. Turn power on.

Safety clearance for installation purposes :

The distance between the power supplies and the surfaces around must be min.50mm.



Must be installed by a licensed electrician



Warnings & instructions

Meaning of crossed-out wheelie bin :

- Do not dispose of electrical appliances as unsorted municipal waste, use separate collection facilities.
- Contact your local government for information regarding available collection systems.
- If electrical appliances are disposed of in landfills or dumps, hazardous substances can leak into the groundwater and get into the food chain, damaging your health and well-being.
- When replacing old appliances with new ones, the retailer is legally obligated to take back your old appliance for disposals at least free of charge.

