



## LED MODULES

# SA R-WV 3LED(2835)

### Features

- Constant current ( Non-DALI Compatible).
- Good Heat Sink system. Low Brightness Decline.
- ABS Base and Overall Lens.
- CE, ROHS, UL, EMC certificated
- Low power consumption, high brightness, and long service life
- LED Type: 2835 LED Chip
- 5Years Warranty

### Specification

Item Code	Colour	CCT(K)	Luminous Flux(lm)	Efficacy(lm/W)
SA 9390	PW	6,500	142	95

### Technical Characteristics

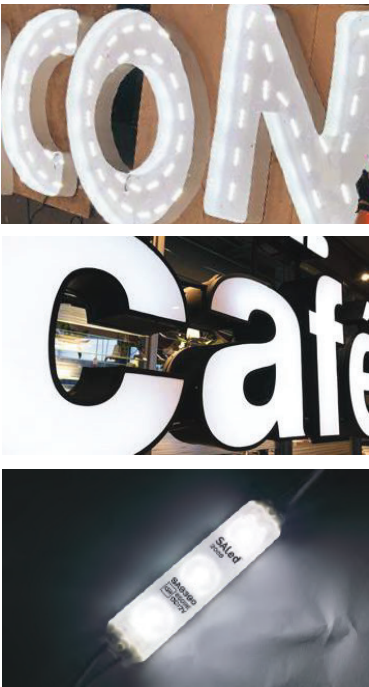
Power Consumption	1.5W/M
Voltage	DC12V
Current Dissipation	0.125A
IP Rating	IP67
CR(Ra)	80+
Viewing Angle	170°
Lens	PC Optic
Injection Material	ABS+PVC(Thermal Conductivity:0.5)
PCB	1OZ Copper Foil, Aluminum / Thermal Conductivity:1)
LED Type	2835 LED
Wire	18AWG

### Certification



### Temperature Ranges

Operating temperature	-25~60°
Storage temperature	-25~70°



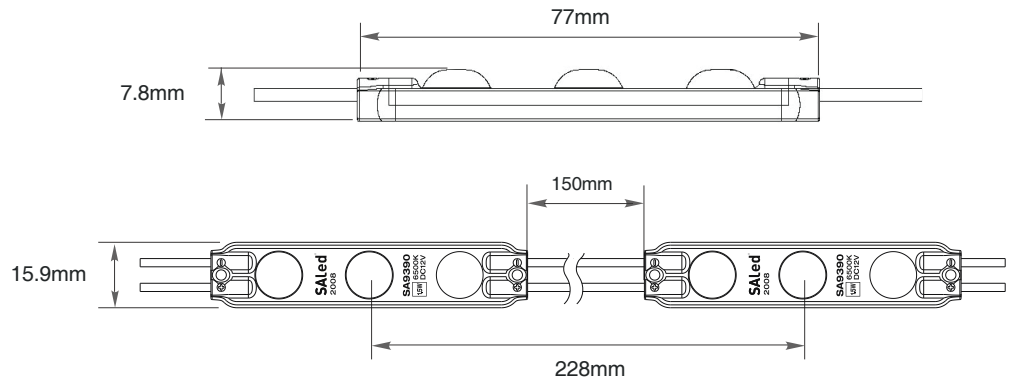
### Warranty

Warranty	5 Years
----------	---------

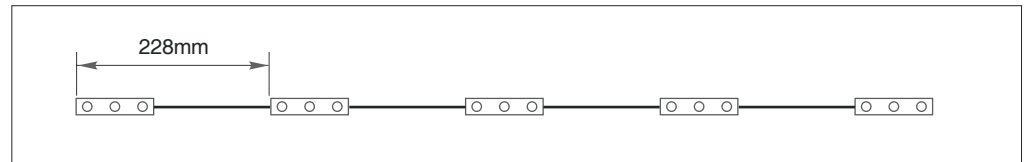
### Physical Characteristics

Dimensions(L*W*H)	77*15.9*7.8mm
Weight	290g

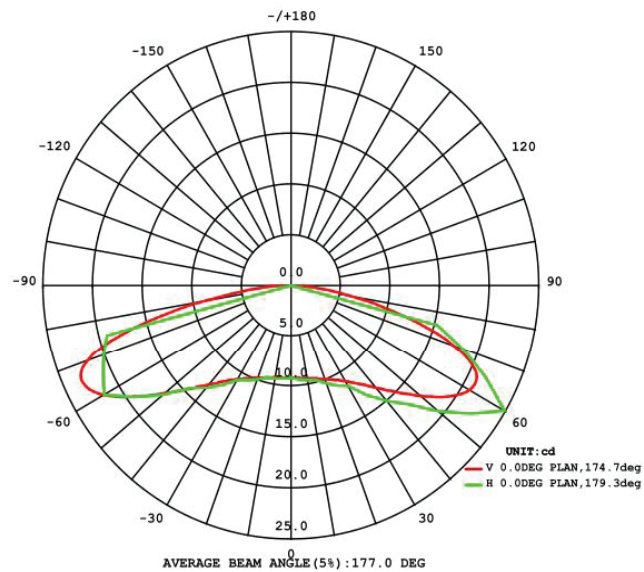
### Profile Drawings



### Module Layout Guides

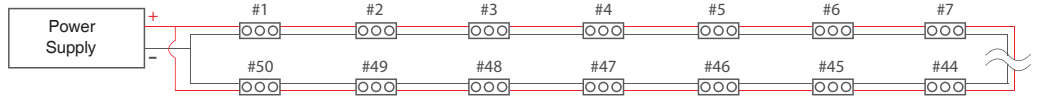


### Lighting Distribution



Max in series 50 EA

Single series \*Up-to 50 modules in a single series



Multiple series \*Up to 200 modules in a max series.

