



LED MODULES

SA L-Side Mini 1 LED

Features

- Constant current (Non-DALI Compatible).
- Sourced by high output SMD3535, good color conformity and no spot.
- Special lens design, 10° x 65° angle beam and light evenly
- Overmoulded: anti-dusting, anti-moisture, waterproof, anti-shock.
- Cutable every 1 LED Module
- CE, ROHS and UL certified.
- 5 Years Warranty

Specification

| Item Code | Power(W) | Luminous Flex(lm) | Current Dissipation(A) | CCT |
|-----------|----------|-------------------|------------------------|-------|
| SA 4151 | 1.32W | 125 | 0.11 | 6500K |

Technical Characteristics

| | |
|------------|------------|
| Voltage | DC12V |
| Efficiency | 95lm/W |
| IP Rating | IP65 |
| View Angle | 10° x 65° |
| Colour | Pure white |
| CRI (Ra) | 75+ |
| LED Type | 3535 LED |

Certification



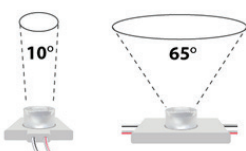
Temperature Ranges

| | |
|-----------------------|---------|
| Operating temperature | -25~60° |
| Storage temperature | -25~70° |

Warranty

| | |
|----------|---------|
| Warranty | 5 Years |
|----------|---------|

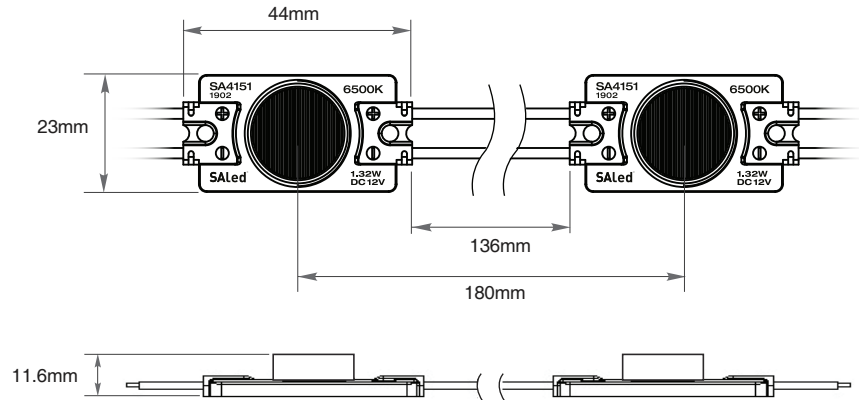
Angle Beam



Physical Characteristics

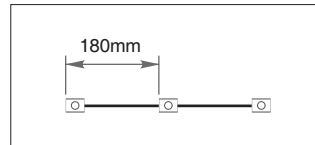
| | |
|-------------------|------------|
| Dimensions(L*W*H) | 44*23*11.6 |
| Weight | 9.8g |

Profile Drawings

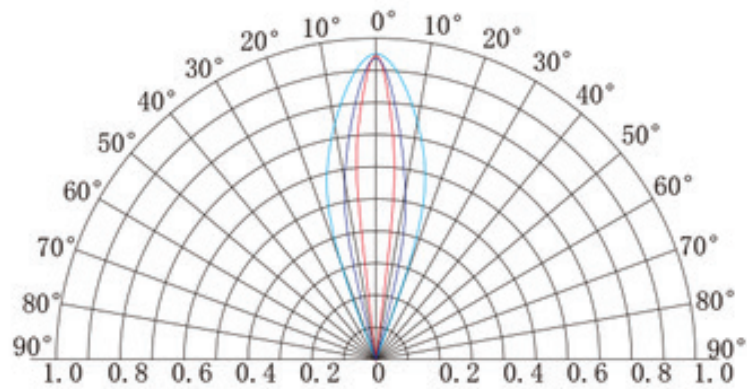


Module Layout Guides

1 LED



Luminous intensity distribution diagram



Beaming Angle 10x65°

Max in series 20 EA

