

LED MODULES

SA R-SP LED(2835) Series

Features

- High Efficiency 2835 LED Mounted
- Constant current (Non-DALI Compatible).
- 175° Wide beam angle optilens applied.
- IP67 Rated
- Compact design and convenient usability.
- CE, ROHS and UL certified.
- 5Years Warranty

Specification

Item Code	Type	Power(W)	Current Dissipation(A)	Max In Series
SA 9191	1 LED	1.0W	0.083	60EA
SA 9291	2 LED	2.0W	0.167	40EA
SA 9391	3 LED	3.0W	0.25	20EA

Technical Characteristics

Voltage	DC12V
Luminous Flux	142lm
Efficiency	95lm/W
Viewing Angle	175°
IP Rating	IP67
CCT	6,500K
CRI(Ra)	80+
LED Type	2835 LED

Certification



Temperature Ranges

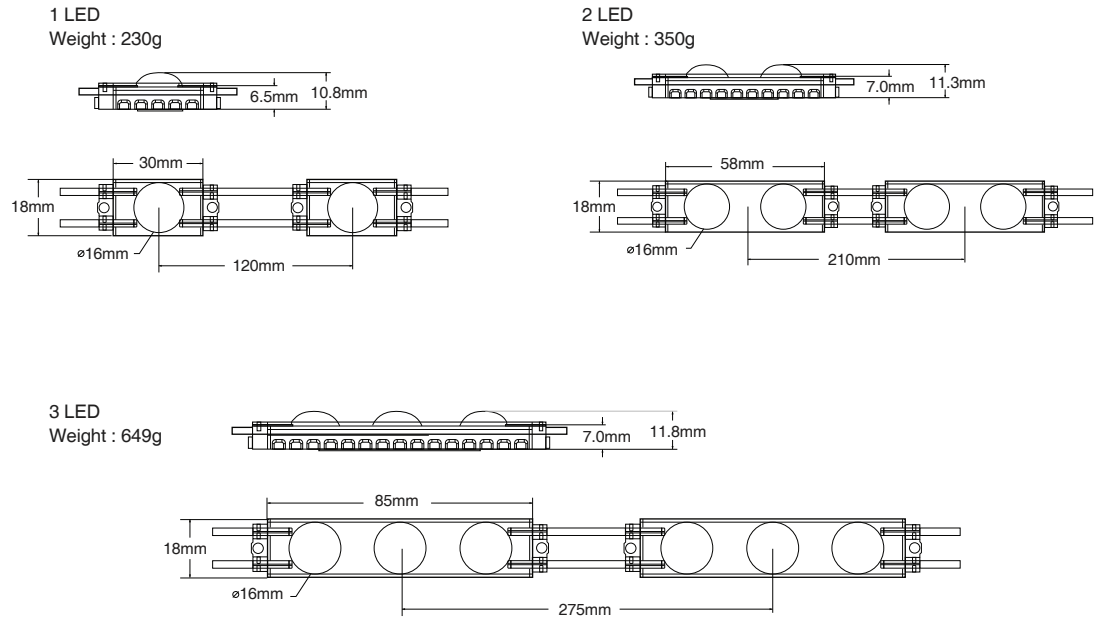
Operating temperature	-25~60°
Storage temperature	-25~70°

Warranty

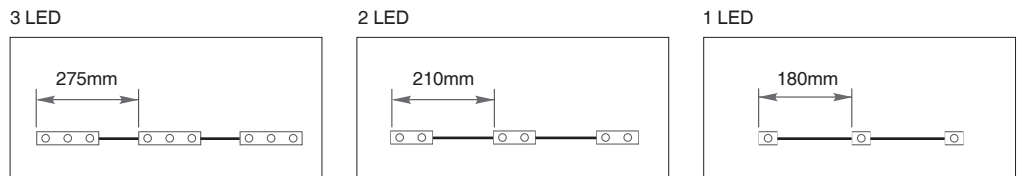
Warranty	5 Years
----------	---------

Physical Characteristics

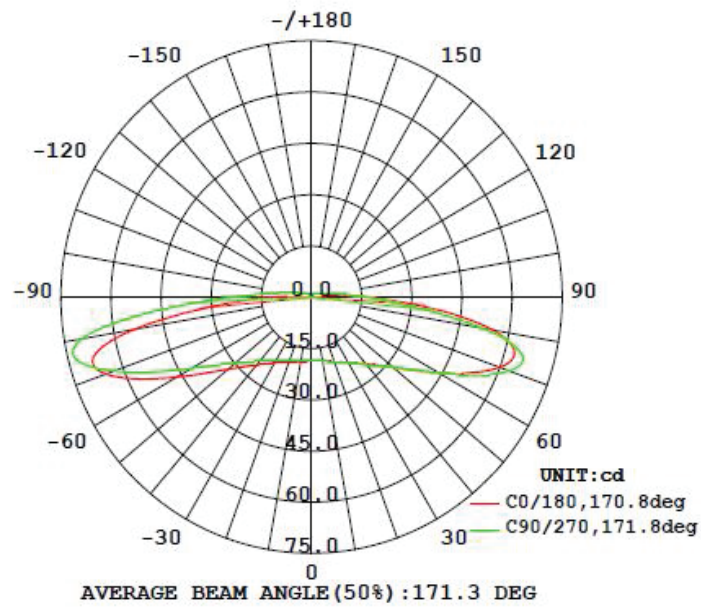
Profile Drawings



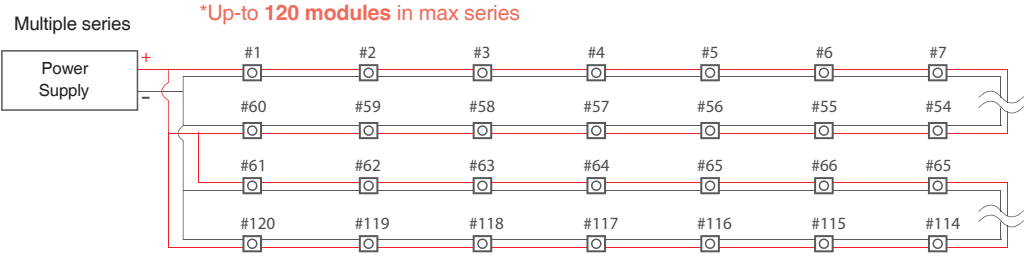
Module Layout Guides



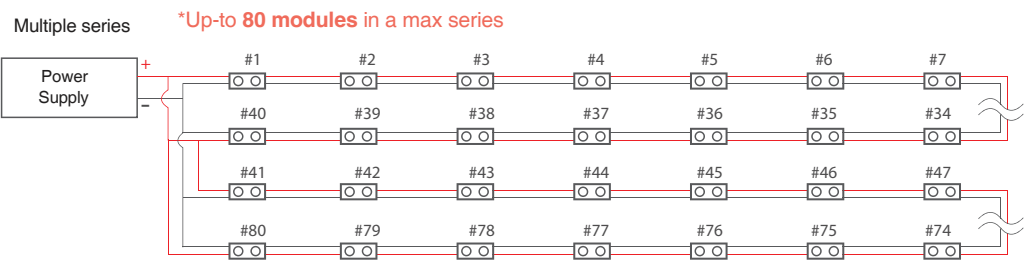
| Luminous intensity distribution diagram



| 1LED - Max in series 60 EA



2LED - Max in series 40 EA



3LED - Max in series 20 EA

