



LED MODULES

SA HLC2S HW(2835)

Features

- High efficiency **SAMSUNG** 2835 LED Mounted.
- Constant current (Non-DALI Compatible).
- 160° Wide beam angle, Optic Lens applied.
- Approved CE, UL, RoHS, KS Certified
- Compact Design and Convenient Usability
- Made in Korea
- 5Years Warranty

Specification

Item Code	Power(W)	Current	Luminous Flux(lm)	Efficiency(lm/W)
SA 1241	0.9	0.075	62	69

Technical Characteristics

Voltage	DC12V
CCT(K)	6500K
Colour	PureWhite
IP Rating	IP67
View Angle	160°
CRI(Ra)	80+
Max. Module Pitch	128mm (Centre to Centre)
LED Type	2835 LED (SAMSUNG CHIP)
LED Wire	UL18 AWG (AWN 2468)
LENS materials	PMMA, UL-94
Case materials	PC/ABS, UL-94 , V-2

Certification



Temperature Ranges

Operating temperature	-20~50°
Storage temperature	-30~70°

Warranty

Warranty	5 Years
----------	---------

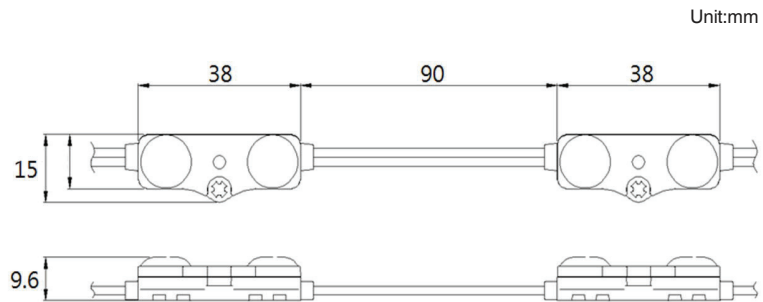
Angle Beam



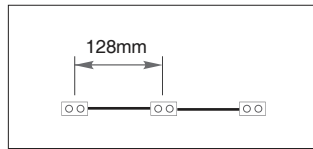
Physical Characteristics

Dimensions(L*W*H)	38*15 *9.6mm
Weight	8g

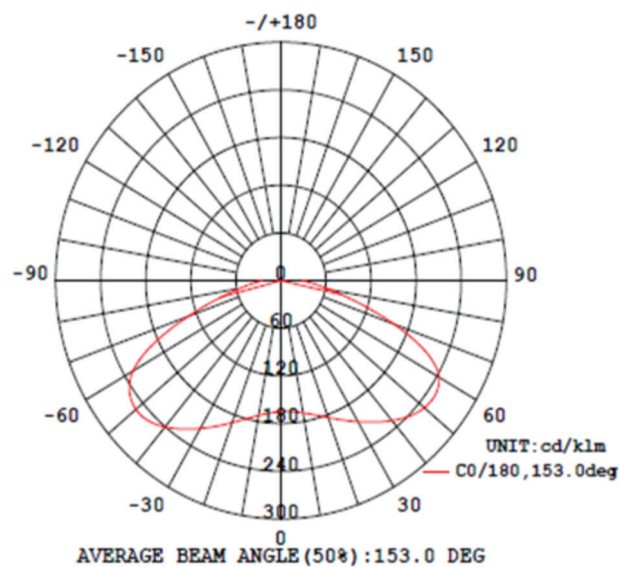
Profile Drawings



Module Layout Guides



Luminous intensity distribution diagram



Max in series 50 EA

