

Mini LED controller M1

RF WIRELESS



FC CE RoHS [warranty 5 years]

Mini series LED controller reflected LTECH more than 10 years' powerful independent R&D ability in LED field, Its volume is only 1/3 of the conventional controller, but can implement features such as dimming, RGB and color temperature control. Its high cost performance and creative design, allowing users to enjoy the benefits and convenience.

1. Parameter:

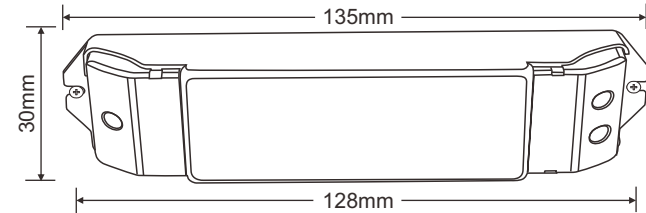
Receiver:

- Model: M3-3A
- Power Input: 12~24Vdc
- Current Load: 3A×3CH Max. 9A
- Output Power: (0~36W...72W)×3CH
- Working Temp.: -30°C~55°C
- Dimensions: L135×W30×H20(mm)
- Weight(N.W.): 47g

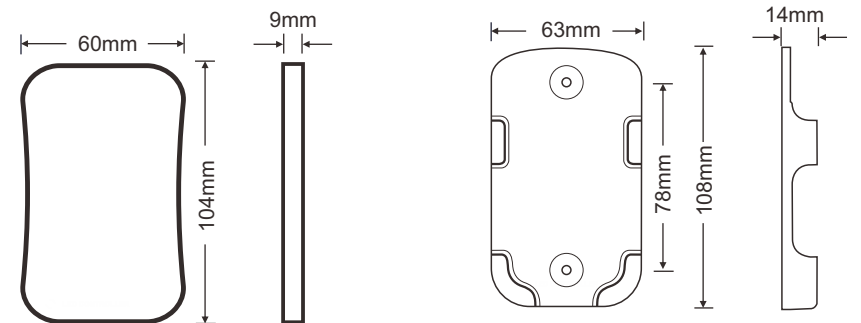
Remote:

- Model: M1
- Working Voltage: 3V (battery CR2032)
- Working Frequency: 433.92MHz
- Working Temp.: -30°C~55°C
- Dimensions: L104×W58×H9(mm)
- Weight(N.W.): 42g
- Total Weight(G.W.): 135g

2. Product Size:



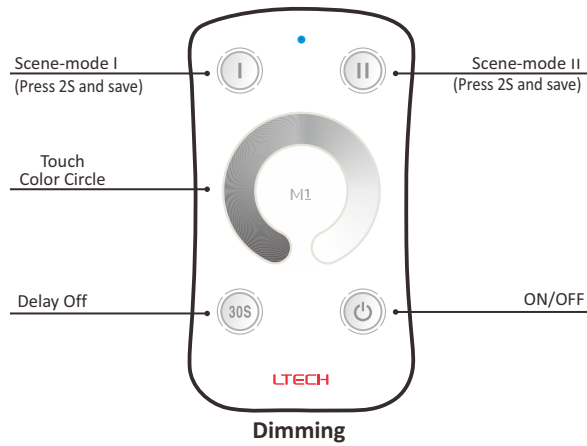
Receiver



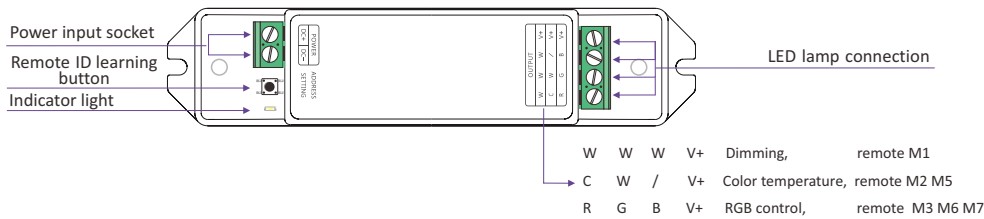
RF remote

Remote holder

3. Operating Instruction for Remote Control:



4. Operating Instruction for Receiver:



5. The Learning ID Method of Remote Control:

Remote control has been matched to the receiver before leave factory, if deleted accidentally, you can learn ID as follow.

Learning ID: Short press ID learning button on the receiver M3-3A, the running light is on, then press any key on the remote control M1, the running light flashes several times, activated.

Cancel ID: Long press ID learning button on the receiver for 5 seconds.

Attn: one receiver can be matched with max 10 same or different kinds remote.
Receiver is no quantity limit when it match up with remote or gateway.

6. Wiring Diagram:

