

User Manual

2.4G LED Controller & Remote Controller

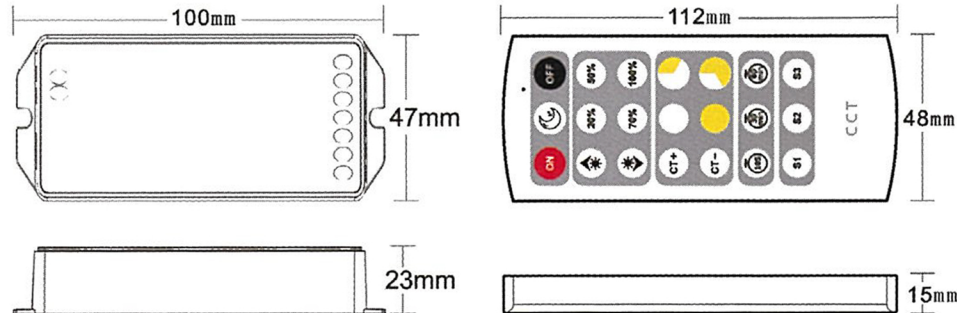
Features:

1. Adopts 2.4G RF connect method, strong anti-interference ability.
2. 20m barrier-free control.
3. Low power consumption, long using time.
4. The output of led controller has short-circuit protection function, safe and reliable.
5. The led controller has two power supply input interfaces: DC socket and wiring base.

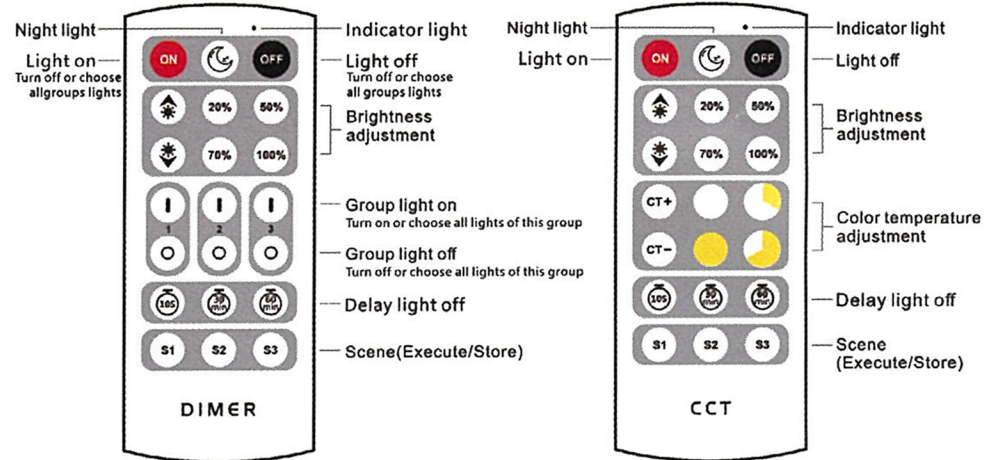
Parameters:

LED Controller		Remote Controller	
Input Voltage	DC12 / DC24V	Working Voltage	3V(2 AAA batteries)
Standby Current	<25 mA	Working Current	<10 mA
Max. Output Power	Refer to the marking on the housing	Transmission Frequency	2.4G Hz
Dimming Method	PWM chopper	Standby Current	<3 uA
Output Method	Constant voltage, common-anode(common-positive)	Modulation Method	GFSK
Size	L100 * W47 * H23 mm	Size	L112 * W48 * H15 mm

Dimension drawing:

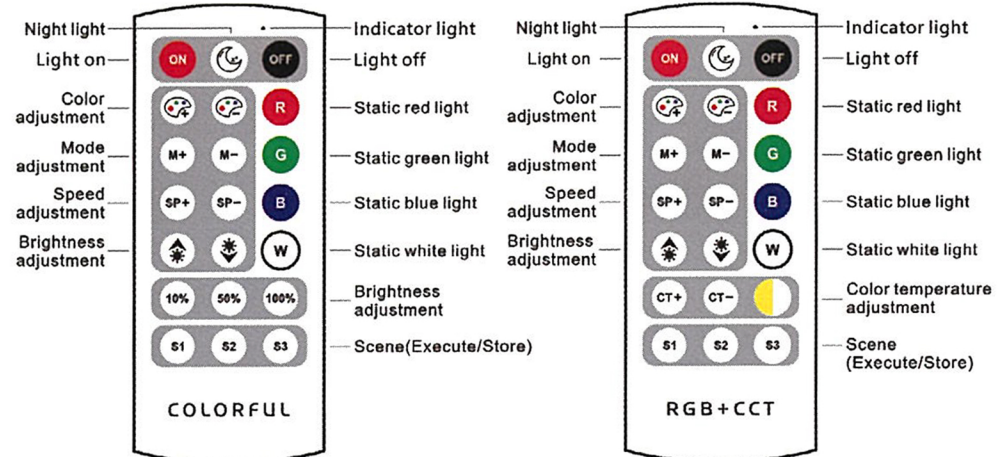


Remote controller key function description:



W Remote Controller

CCT Remote Controller



RGB/RGBW Remote Controller

RGB+CW Remote Controller

* Note: press any scene key (S1/S2/S3) for more than one second to store the current light state.

Match Code / Clear Code description:

Default setting: generic code mode, all remote controllers can control directly all led controller. After code matching, the led controller can only be controlled by the matched remote controller.

Match Code:

Step 1. Turn off the power of the led controller and wait for at least 5S.

Step 2. Then turn on the power, and long press "ON" key on the remote controller in 6S after the led light be turned on. If the light slowly flash 3 times, it shows code matched successfully.

Clear Code:

Step 1. Turn off the power of the led controller and wait for at least 5S.

Step 2. Then turn on the power, and long press "ON" key on the remote controller in 6S after the led light be turned on. If the light quickly flash 6 times, it shows clearing code successfully.

Restore Default setting:

Step 1. Turn off the power of the led controller and wait for at least 5S.

Step 2. Then turn on the power, and long press "OFF" key on the remote controller in 6S after the led light be turned on. If the light quickly flash 9 times, it means the operation is successful.

*** Note:**

1. The led controller can be matched with 6 remote controllers at most. If more than 6 remote controllers, the first matched remote controller will be replaced by the next matching code remote controller in sequence.
2. If the operation is not successful, please increase the waiting time after turning off the power of the led controller to more than 10 seconds to ensure that the led controller is restarted.

Group setting: (Only applicable to "W Remote Controller ")

Group setting:

- Follow the "Match Code / Clear code description" steps to set group.
- Add the group 1 (2 or 3) according to " Match Code " steps, but change the "ON" key to the "I" key of the corresponding group.
- Exit the group 1 (2 or 3) according to " Clear Code " steps, but change the "ON" key to the "I" key of the corresponding group.

Group control:

- Firstly click the "ON" key, and then can control all groups lights simultaneously.
- Firstly click the "I" key in the corresponding group (group 1/2/3), and then can control all lights of the corresponding group.

*** Note:**

1. The function of "ON" or "OFF" key is to turn on or off all groups lights at the same time.
2. The function of "I" or "O" in the group is to only turn on or off all lights of this group.

Precautions:

1. Stay away from water or fire.
2. Keep away from high-power electronic equipment, corner, or large obstacles so as not to affect the remote control distance.
3. Do not expose the product to high temperature.
4. Do not cover the device with anything. Otherwise, heat dissipation or signal transmission may be affected.
5. Do not disassemble or repair the product without permission. If you have any problems, please contact after-sales service.